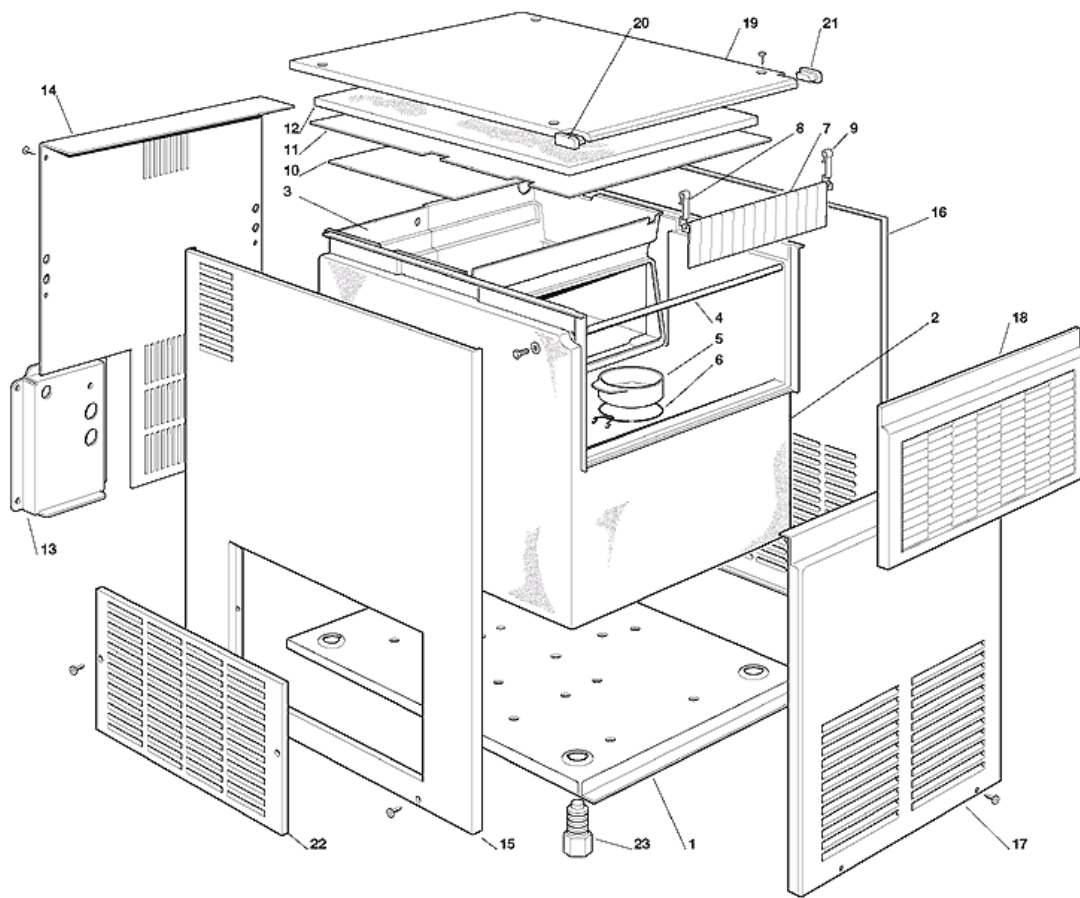




## Spare Parts Catalogue BARLINE21

- 1 - UNIT PANELS
- 2 - REFRIGERANT SYSTEM AIR COOLED
- 3 - REFRIGERANT SYSTEM WATER COOLED
- 4 - WATER SYSTEM
- 5 - CONTROL BOX

1 - UNIT PANELS

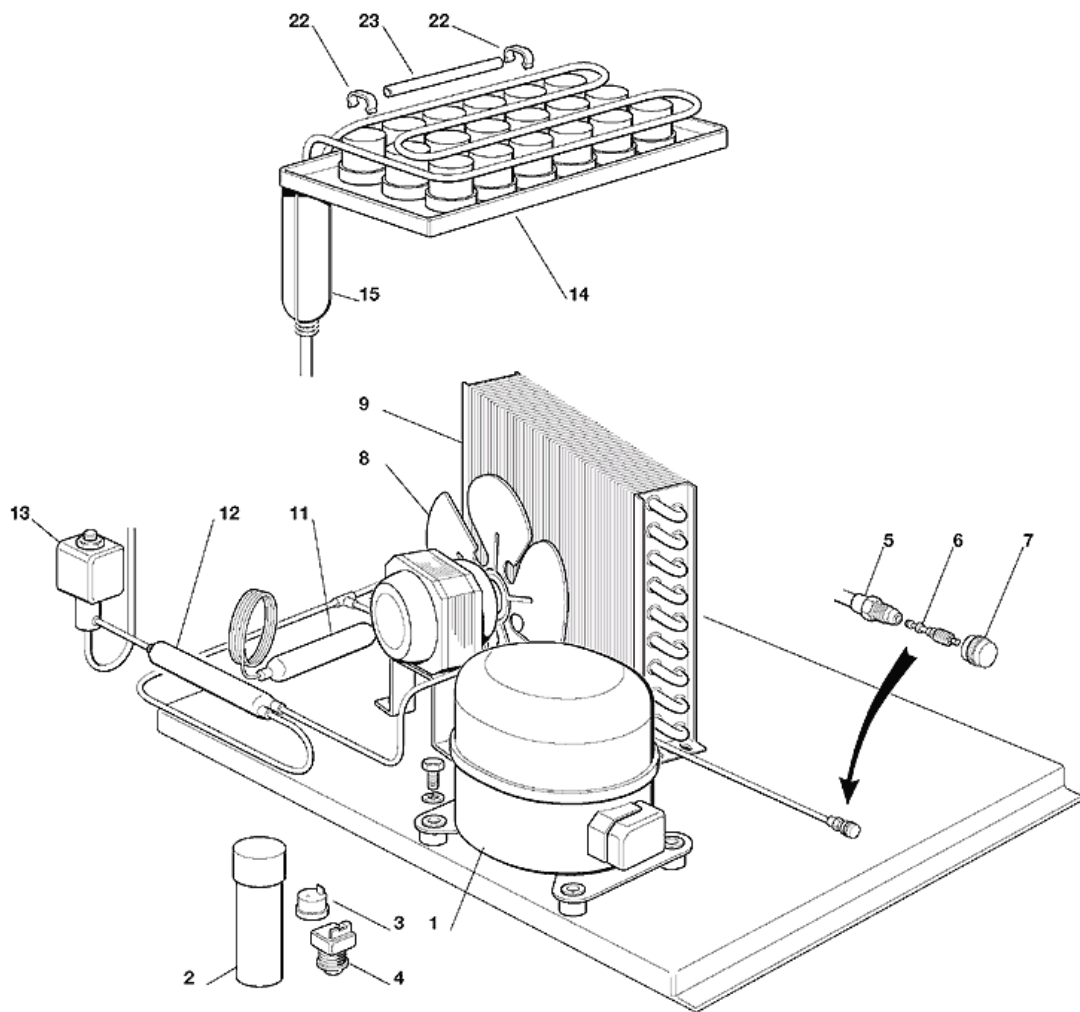




## 1 - UNIT PANELS

POSITION	CODE	DESCRIPTION
0001	702360 00	UNIT BASE
0002	782099 00R	STORAGE BIN ASSY
0003	660750 00	EVAPORATOR HOUSING
0004	732010 03	SPACER
0005	660741 00	PLASTIC PLUG
0006	460047 00	SPRING
0007	784457 06R	CURTAIN ASSY
0008	660388 00	CURTAIN BRACKET (RIGHT)
0009	660388 01	CURTAIN BRACKET (LEFT)
0010	742033 04	EVAPORATOR COVER
0011	660752 00	COVER
0012	650868 00	INSULATION, SUMP COVER
0013	702301 00	METAL BRACKET FOR FITTING
0014	702362 00	REAR PANEL
0015	721884 00	LEFT SIDE PANEL
0016	721885 00	RIGHT SIDE PANEL
0017	721886 00	FRONT PANEL
0018	782079 00R	BIN DOOR ASSY
0019	721887 00	TOP PANEL
0020	660528 01	TOP CAP
0021	660528 00	TOP CAP
0022	702026 03	SERVICE PANEL
0023	650382 01	LEG

2 - REFRIGERANT SYSTEM AIR COOLED

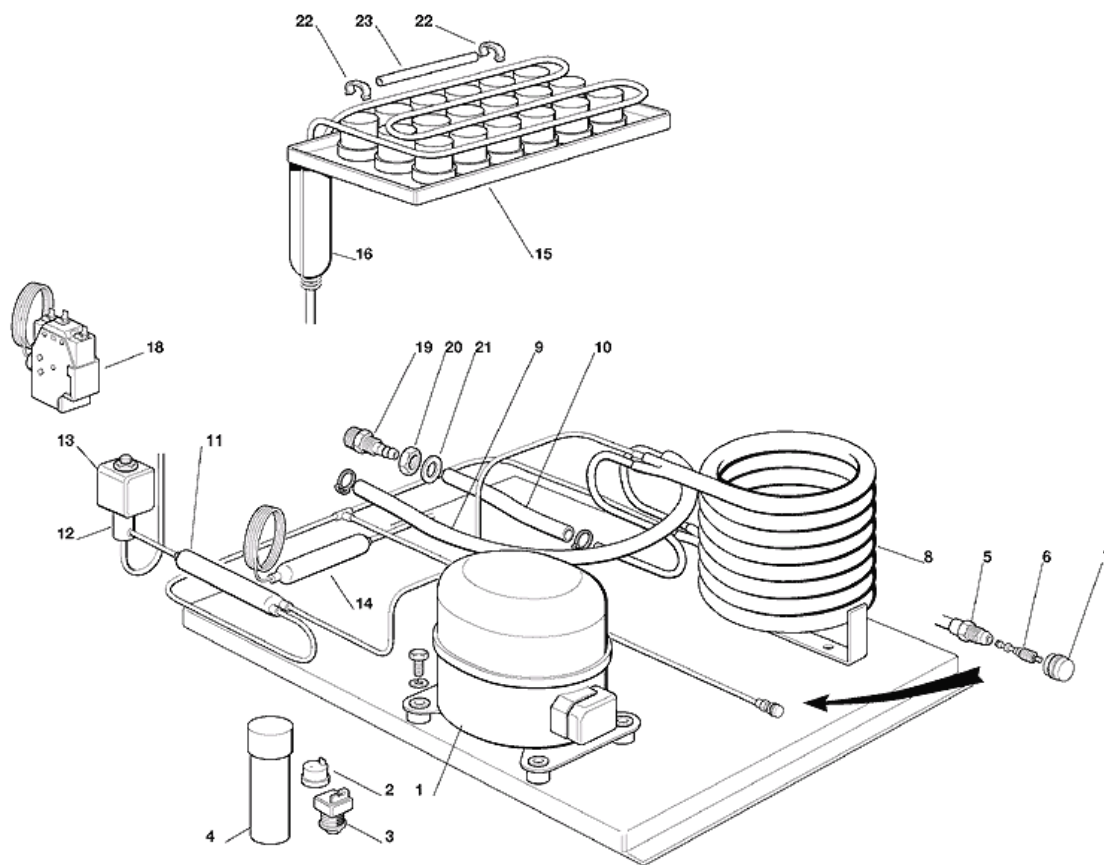




## 2 - REFRIGERANT SYSTEM AIR COOLED

POSITION	CODE	DESCRIPTION
0001	670097 08	COMPRESSOR
0001	670097 10	COMPRESSOR 230/60
0002	620167 01	START CAPACITOR 64-77 MFD/330V
0002	620167 29	START CAPACITOR 47MFD/330V
0003	620058 65	PROTECTOR 230/50
0003	620058 95	PROTECTOR 230/60
0004	620057 35	RELAY - 230/50
0004	620057 64	RELAY - 230/60
0005	650109 00	VALVE BODY
0006	670012 00	VALVE CORE
0007	650106 00	CAP
0008	620419 00	FAN MOTOR - 230/50-60
0008	620419 32	FAN BLADE
0009	620276 02	CONDENSER
0011	630003 05	DRIER
0012	630137 00	MECHANICAL FILTER
0013	620306 22	HOT GAS VALVE BODY
0013	620306 48	COIL - 230/50-60
0014	784615 00	EVAPORATOR ASSY
0015	784444 13	SUCTION LINE
0022	660386 00	SPRING
0023	741114 02R	BULB HOLDER

**3 - REFRIGERANT SYSTEM WATER COOLED**

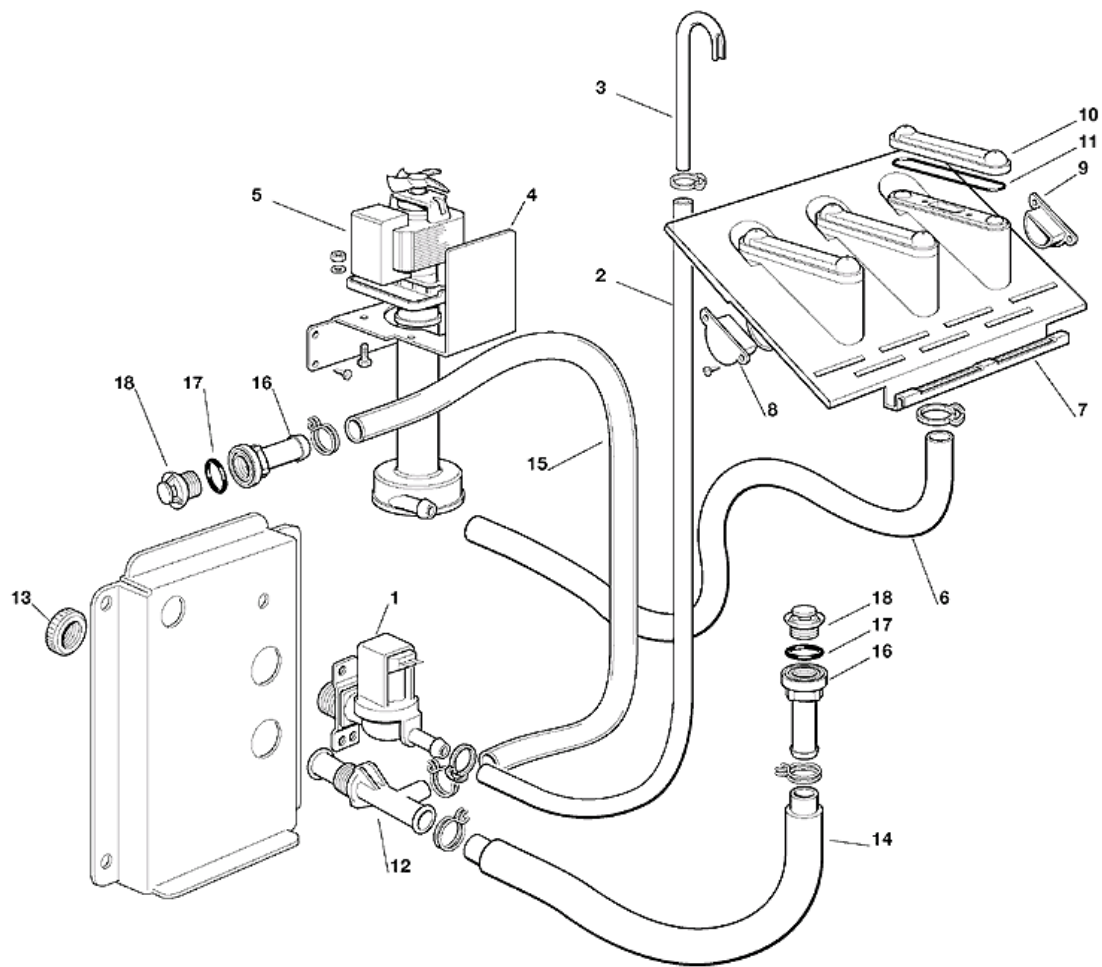




### 3 - REFRIGERANT SYSTEM WATER COOLED

POSITION	CODE	DESCRIPTION
0001	670097 08	COMPRESSOR
0001	670097 10	COMPRESSOR 230/60
0002	620167 01	START CAPACITOR 64-77 MFD/330V
0002	620167 29	START CAPACITOR 47MFD/330V
0003	620058 65	PROTECTOR 230/50
0003	620058 95	PROTECTOR 230/60
0004	620057 35	RELAY - 230/50
0004	620057 64	RELAY - 230/60
0005	650109 00	VALVE BODY
0006	670012 00	VALVE CORE
0007	650106 00	CAP
0008	620389 02	CONDENSER
0009	281900 01	TUBE 16X10
0010	281900 01	TUBE 16X10
0011	630137 00	MECHANICAL FILTER
0012	620306 22	HOT GAS VALVE BODY
0013	620306 48	COIL - 230/50-60
0014	630003 05	DRIER
0015	784615 00	EVAPORATOR ASSY
0016	784444 13	SUCTION LINE
0018	620075 00	PRESSOSTAT
0022	660386 00	SPRING
0023	741114 02R	BULB HOLDER

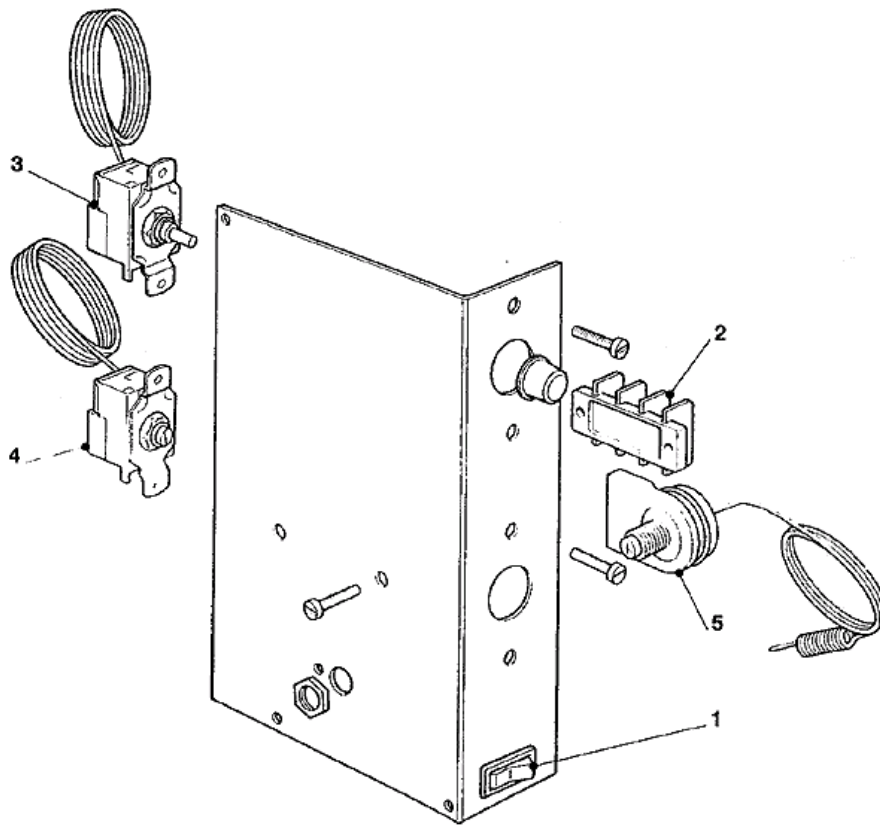
**4 - WATER SYSTEM**



#### 4 - WATER SYSTEM

POSITION	CODE	DESCRIPTION
0001	650105 72	WATER IN. VALVE - 230/50-60 - AIR COOLED
0001	650105 73	WATER IN. VALVE - 230/50-60 - WATER COOLED
0002	281900 01	TUBE 16X10
0003	734695 00R	COPPER TUBE
0004	721893 00	PUMP MOTOR BRACKET
0005	620433 00	WATER PUMP 230/50
0005	620433 01	WATER PUMP 230/60
0006	610204 01	TUBE
0007	793129 01	SPRAY SYSTEM ASSY
0008	660520 03	LEFT PLUG
0009	660520 02	RIGHT PLUG
0010	660519 01	SPRAY COVER
0011	640041 20	O RING
0012	660224 00	TEE TUBE
0013	660535 00	PLASTIC NUT
0014	610148 18	DRAIN TUBE
0015	610204 00	TUBE
0016	660219 02	BIN DRAIN
0017	640134 00	O RING 4093
0018	660211 01	DRAIN FILTER

5 - CONTROL BOX





## 5 - CONTROL BOX

POSITION	CODE	DESCRIPTION
0001	620442 01	SWITCH
0002	630114 01	TERMINAL BOARD
0003	620264 16	EVAP. THERMOSTAT
0004	630005 00	BIN THERMOSTAT
0005	620443 02	THERMOSTAT