

21 - 31

40 - 50

65 - 90

R 134 A

Ice cubers

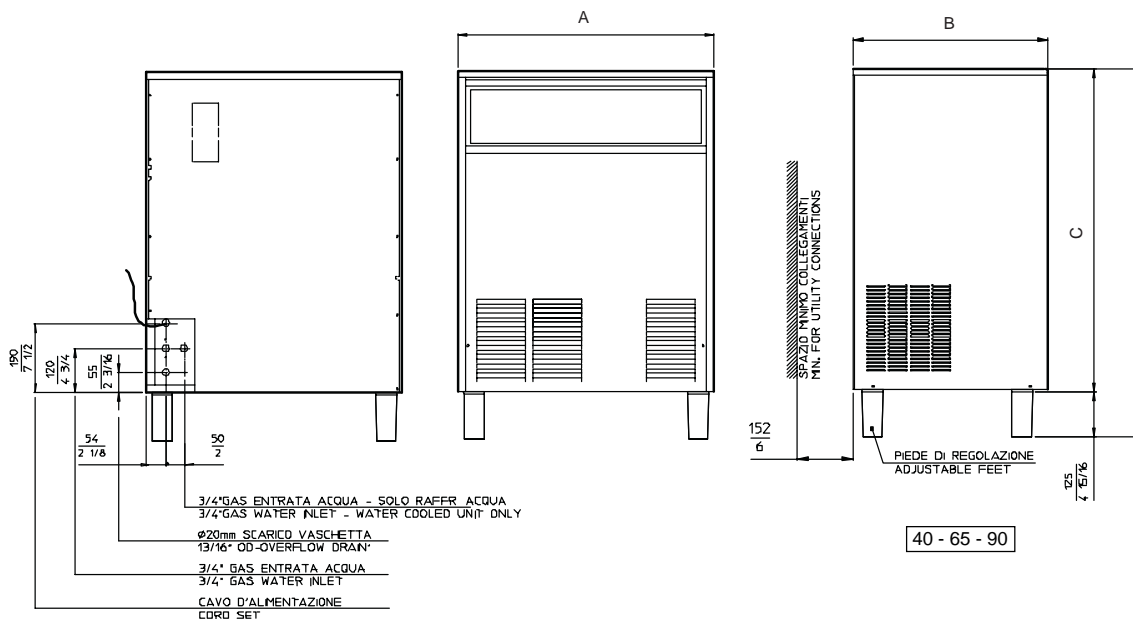
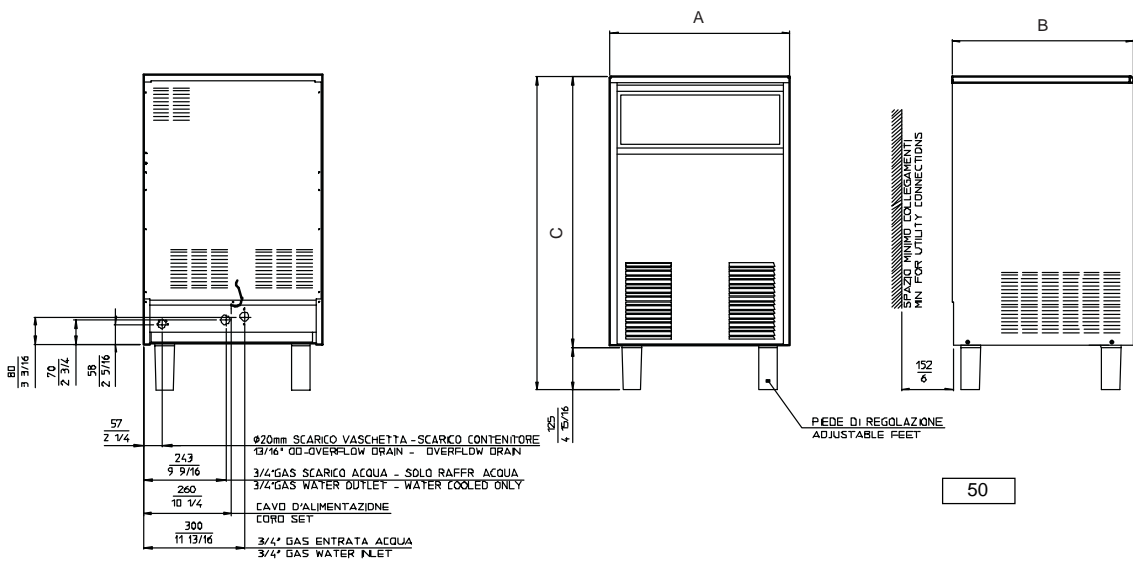
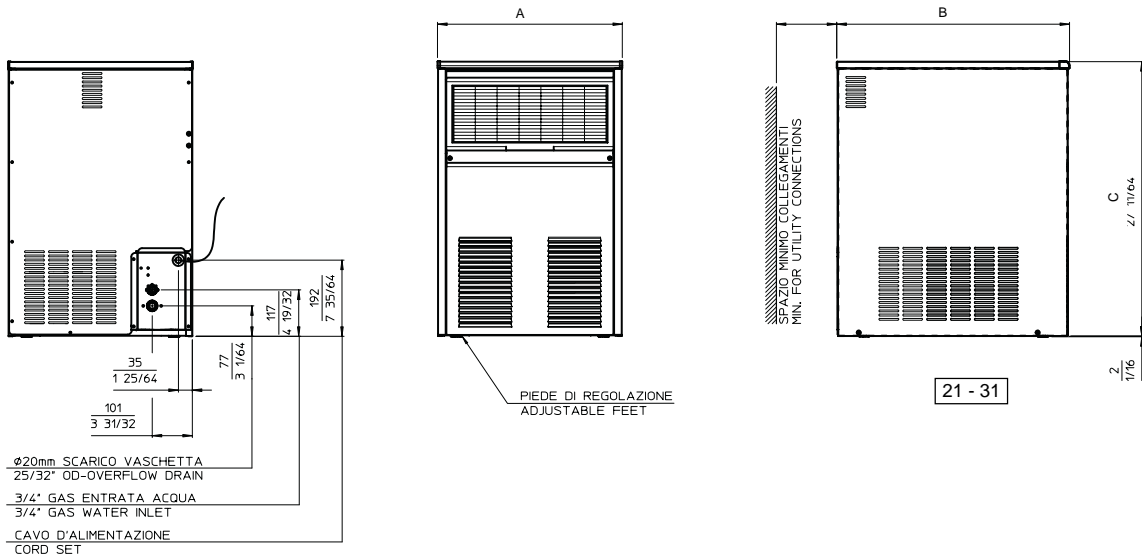
**Fabbricatori
di ghiaccio a cubetti**

Machines á glaçons

Eiswürfelbereiter

TABLE OF CONTENTS	PAGE	INDICE	PAG	TABLE DES MATIERES	PAGE	INHALT	SEITE
GENERAL INFORMATION AND INSTALLATION	1	INFORMAZIONI GENERALI ED INSTALLAZIONE	11	INFORMATIONS GENERALES ET INSTALLATION	21	ALLGEMEINES UND INSTALLATION	32
Introduction	1	Introduzione	11	Introduction	21	Einleitung	32
Unpacking and inspection	1	Disimballaggio ed ispezione	11	Déballage et examen	21	Auspacken und Kontrollieren	32
Location and levelling	1	Posizionamento e livellamento	11	Logement et mise de niveau	21	Stellplatz und Aufstellung	32
Electrical connection	1	Collegamenti elettrici	12	Branchement électrique	22	Elektrische Anschlüsse	33
Water supply and drain connection	2	Alimentazione idraulica e scarico	12	Branchement d'arrivée et d'évacuation eau	22	Wasserversorgung und Abflußleitungen	33
Final check list	3	Controllo finale	13	Liste de contrôle final	23	Endkontrolle	34
Installation practice	3	Schema di installazione	13	Schema d'installation	23	Installation	34
OPERATING INSTRUCTION	4	ISTRUZIONI DI FUNZIONAMENTO	14	MISE EN SERVICE	24	BETRIEBSANLEITUNG	35
Start up	4	Avviamento	14	Démarrage	24	Inbetriebnahme	35
Operational checks	4	Controlli durante il funzion.	14	Contrôle pendant le fonctionn.	24	Kontrolle bei Betrieb	35
OPERATING PRINCIPLES	6	PRINCIPIO DI FUNZIONAMENTO	16	PRINCIPE DE FONCTIONNEMENT	26	BETRIEB	37
Freezing cycle	6	Ciclo di congelamento	16	Cycle de congélation	26	Gefrierzyklus	37
Harvest cycle	6	Ciclo di scongelamento	16	Cycle de démoulage	26	Abtauzyklus	37
CLEANING INSTRUCTIONS OF WATER SYSTEM	9	ISTRUZIONI PER LA PULIZIA DEL CIRCUITO IDRAULICO	19	INSTRUCTION DE NETTOYAGE DU CIRCUIT HYDRAULIQUE	30	ANWEISUNGEN ZUR WARTUNG UND REINIGUNG	40

b)



	B 21 mm (inch)	B 31 mm (inch)	B 40 mm (inch)	B 50 mm (inch)	B 65-90 mm (inch)
A	389 (15 5/16)	465 (18 5/16)	529 (20 19/32)	529 (20 53/64)	699 (27 11/64)
B	515 (20 9/32)	586 (23 3/64)	525 (20 43/64)	535 (21 1/16)	536 (21 1/32)
C	640 (25 13/64)	690 (27 11/64)	815 (31 5/8)	796 (31 17/64)	885 (34 17/32)

FIG. A

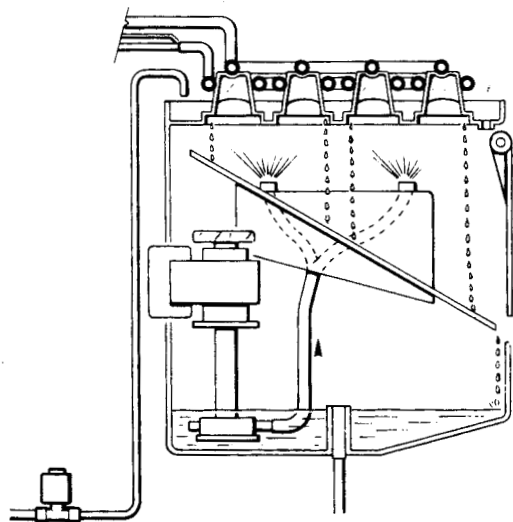


FIG. B

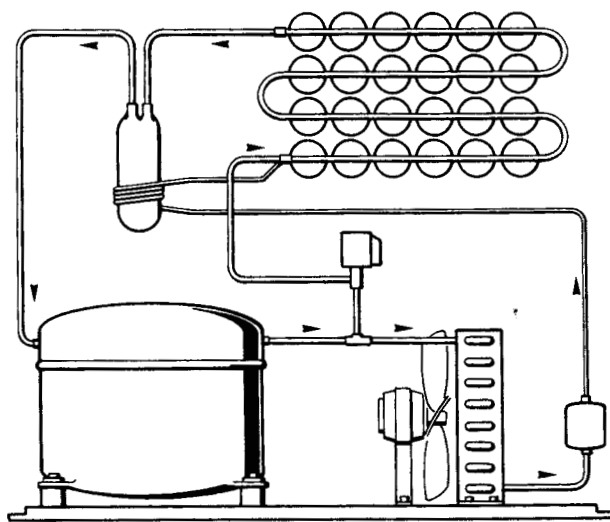


FIG. C

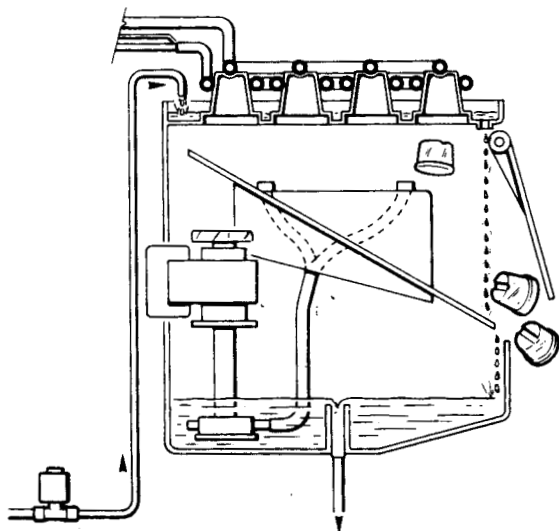
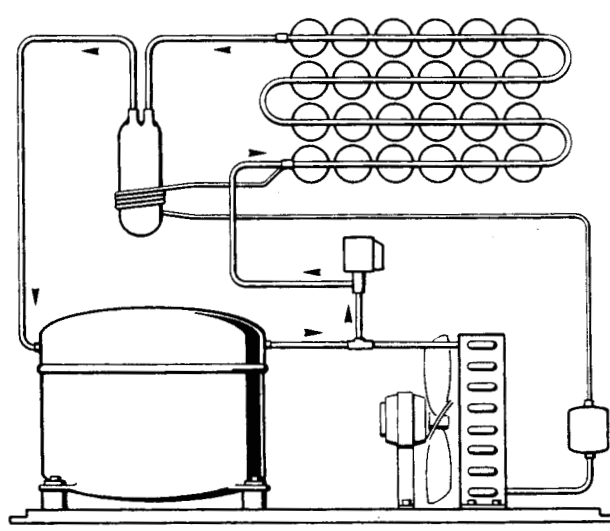


FIG. D



TECHNICAL SPECIFICATIONS - SPECIFICHE TECNICHE - DONNÉES TECHNIQUE - TECHNISCHE ANGABEN

	21A	21W	31A	31W	40A	40W	50A	50W	65A	65W	90A	90W
Electric voltage Alimentazione elettrica Alimentation électrique Netzspannung	230/50/1 -10 ++10%		230/50/1 -10 ++10%		230/50/1 -10 ++10%		230/50/1 -10 ++10%		230/50/1 -10 ++10%		230/50/1 -10 ++10%	
Condensation Condensazione Condensation Kühlung	Air Aria Air Luft	Water Acqua Eau Wasser	Air Aria Air Luft	Water Acqua Eau Wasser	Air Aria Air Luft	Water Acqua Eau Wasser	Air Aria Air Luft	Water Acqua Eau Wasser	Air Aria Air Luft	Water Acqua Eau Wasser	Air Aria Air Luft	Water Acqua Eau Wasser
Bin capacity (kg) Capacità contenitore (kg) Capacité bac glaçons (kg) Lademenge (kg)	8		15		16		18 18		30		30	
Net weight (kg) Peso netto (kg) Poids net (kg) Nettogewicht (kg)	35		39		45				61		73	
Cubes per cycle Cubetti per ciclo Glaçons par cycle Würfel per Zyklus	18		24		24		32		48		48	
Compressor power HP Potenza compressore CV Puissance compresseur CV Kompressorleistung PS	1/5		1/4		3/8		3/8		1/2		3/4	
Running amps Amperaggio di marcia Ampérage en marche Ampere	2,2		2,4		3,2		3,5		3,8		5,3	
Start amps Amperaggio d'avv. Ampérage de démarr. Start Ampere	9		11		17		18		20		26	
Power (Watts) Potenza (Watt) Puissance (Watts) Leistung (Watt)	310		380		500		550		670		830	
Power cons. in 24 hrs (Kwh) Consumo elettr. in 24 ore (Kwh) Cons. electr. en 24 hrs (Kwh) Stromverbrauch in 24 Std. (kWh)	6,3		7,8		10		10		13		16	
Wire size (mm ²) Sezione cavi (mm ²) Section fils (mm ²) Kabelstärke (mm ²)	3 x 1,5		3 x 1,5		3 x 1,5		3 x 1,5		3 x 1,5		3 x 1,5	
Water consumption (lt/hr) Consumo acqua (lt/ora) Consommation eau (lt/hr) Wasserverbrauch (lt/std)	3	11*	4	12*	6	16*	8	30*	7	34*	11	42*
Refrig. charge R 134 A (gr) Carica refrig. R 134 A (gr) Charge refrig. R 134 A (gr) Kühlmittel - Full. R 134 A (gr)	250	250	260	250	290	250	320	250	450	300	450	330
Refrigerant metering device Disp. espansione refrigerante Détente du Réfrigérant Kühlmittel - Expansionssystem	Capillary tube Tubo capillare Tube Capillaire Kapillarrohr		Capillary tube Tubo capillare Tube Capillaire Kapillarrohr		Capillary tube Tubo capillare Tube Capillaire Kapillarrohr		Capillary tube Tubo capillare Tube Capillaire Kapillarrohr		Capillary tube Tubo capillare Tube Capillaire Kapillarrohr		Capillary tube Tubo capillare Tube Capillaire Kapillarrohr	

Water - Acqua - Eau - Wasser: 15°C (60°F)

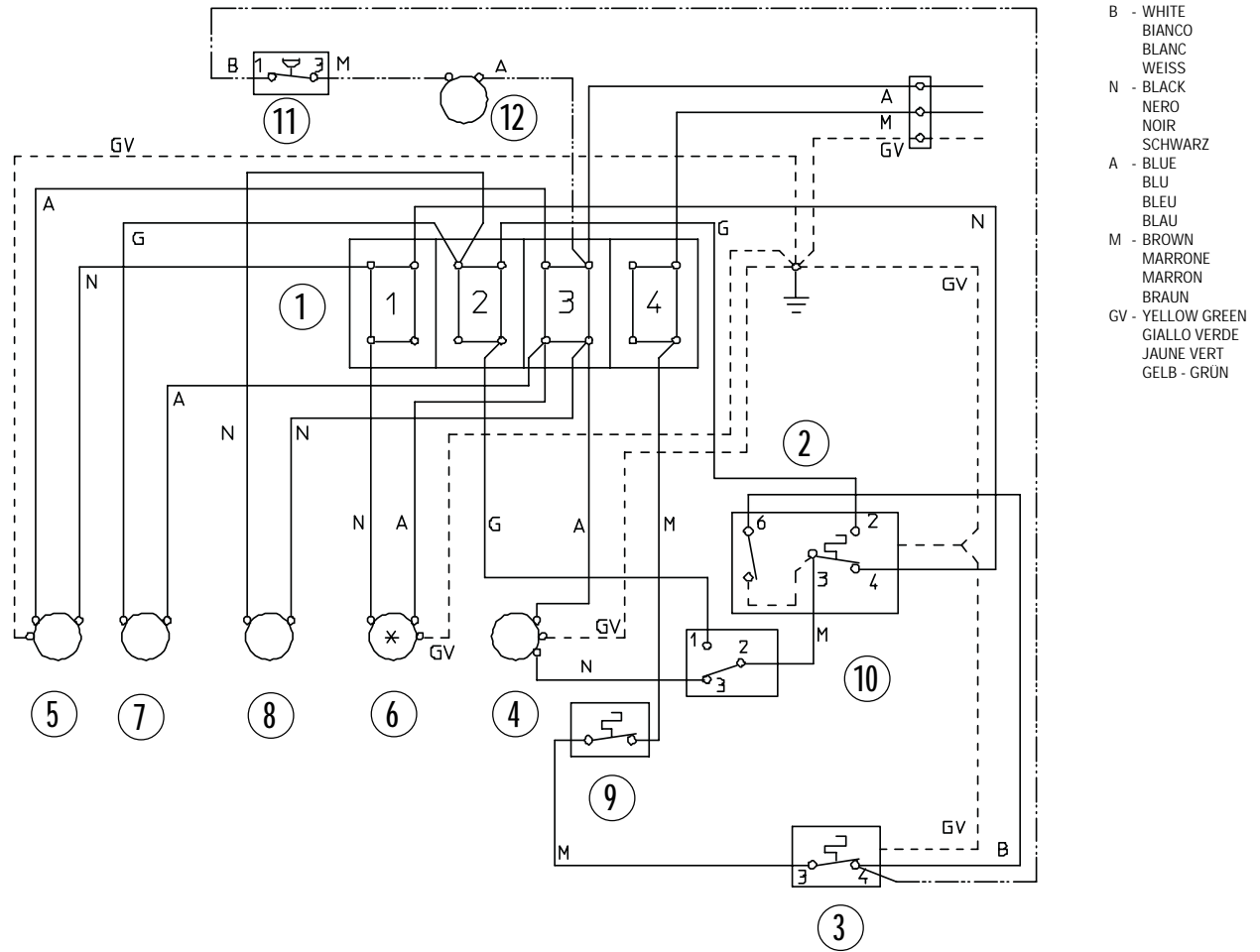
OPERATING PRESSURES - PRESSIONI DI FUNZIONAMENTO - PRESSIONES DE FONCTIONNEMENT - BETRIEBSDRÜCKE

	Discharge pressure - Pressione di mandata Haute pression - Hochdruckbereich	Suction pressure - Pressione di aspirazione Basse pression - Niederdruck
	Freezing cycle - Ciclo di congelamento Cycle de Congélation - Gefrierfase	End of freezing cycle - Fine ciclo di congelamento Fin du cycle de congélation - Ende der Gefrierfase
Air cooled - Raffr. ad aria Refroid. à air - Luftgekühlt	21-31-40	7±11 bar 100±155 psig
Air cooled - Raffr. ad aria Refroid. à air - Luftgekühlt	50-65-90	8.5±10 bar 120±140 psig
Water cooled - Raffr. ad acqua Refroid. à eau - Wassergekühlt	21-31-40-50	8.5±10 bar 120±140 psig
Water cooled - Raffr. ad acqua Refroid. à eau - Wassergekühlt	65-90	9.5 bar 130 psig

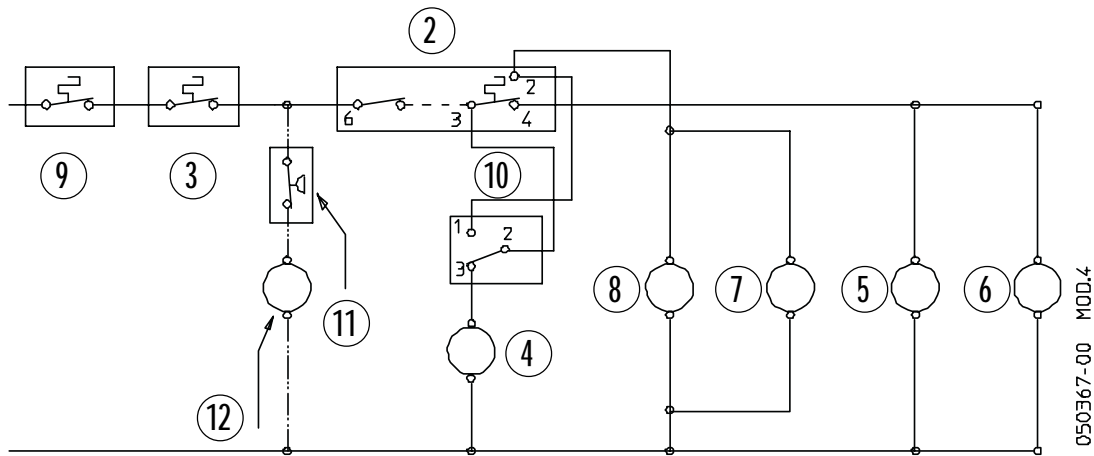
WIRING DIAGRAM - SCHEMA ELETTICO - SCHÉMA ÉLECTRIQUE - SCHALTUNGSSCHEMA

AIR & WATER COOLED - RAFFREDDAMENTO AD ARIA ED AD ACQUA.
REFROIDISSEMENT A AIR ET A EAU - LUFT- UND WASSERGEKÜHLT

230/50-60/1



- B - WHITE
BIANCO
BLANC
WEISS
- N - BLACK
NERO
NOIR
SCHWARZ
- A - BLUE
BLU
BLEU
BLAU
- M - BROWN
MARRON
MARRON
BRAUN
- GV - YELLOW GREEN
GIALLO VERDE
JAUNE VERT
GELB - GRÜN



----- (A) JUST FOR WATER COOLED UNIT
SOLO PER RAFF. AD ACQUA
SEUL POUR REFR. A EAU
NUR FÜR WASSERGEKÜHLTE EINHEIT

* (B) JUST FOR AIR COOLED UNIT
SOLO PER RAFF. AD ARIA
SEUL POUR REFR. A AIR
NUR FÜR LUFTGEKÜHLTE EINHEIT

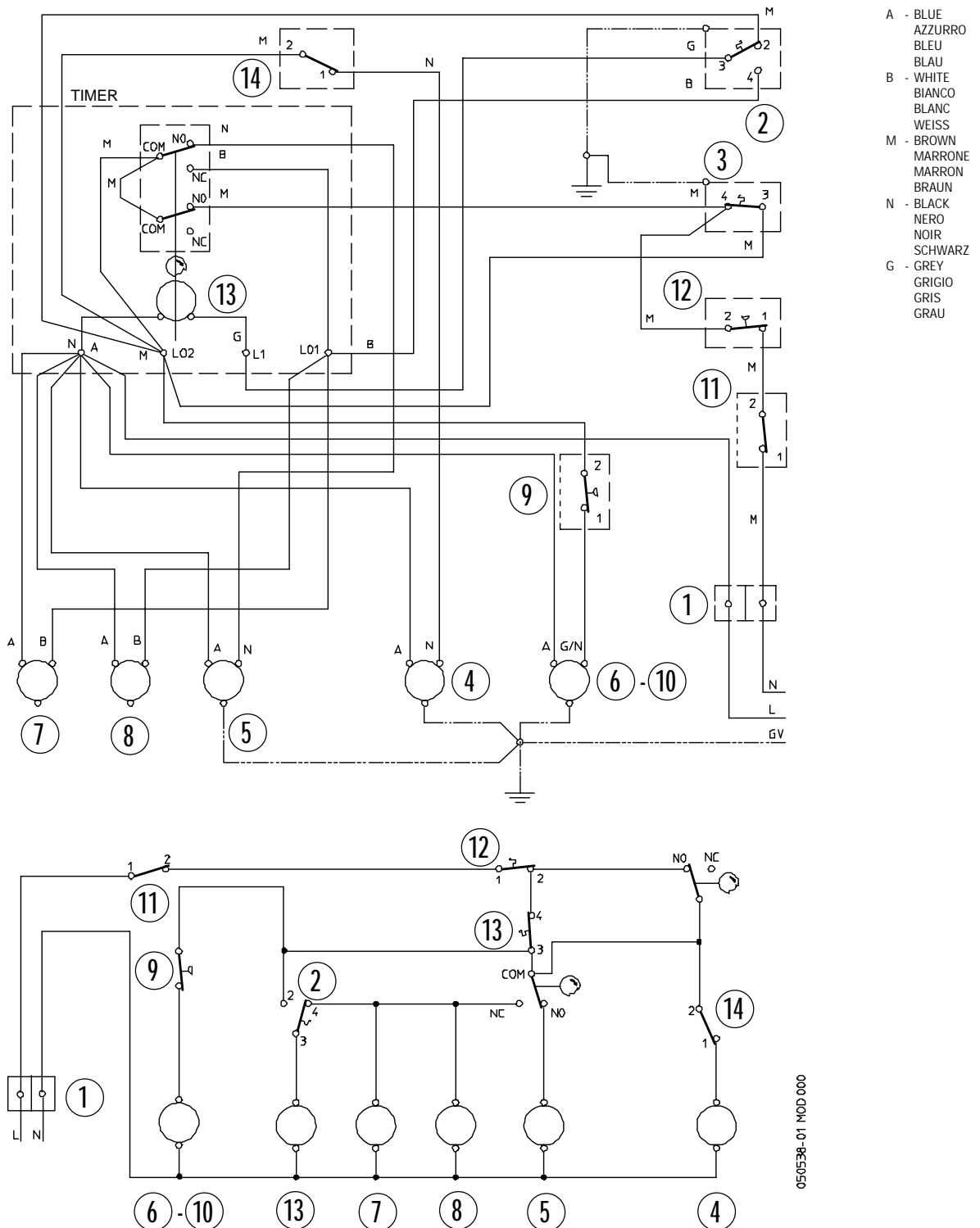
MOD.4
050367-00

- | | | |
|--|--|--|
| <p>1 TERMINAL BOARD - MORSETTIERA
BORNIER - ANSCHLUSSKASTEN</p> <p>2 EVAPORATOR THERMOSTAT - TERMOSTATO EVAPORATORE
THERMOSTAT EVAPORATEUR - VERDAMPFER THERMOSTAT</p> <p>3 BIN THERMOSTAT - TERMOSTATO CONTENITORE
THERMOSTAT CABINE - SPEICHER THERMOSTAT</p> <p>4 COMPRESSOR - COMPRESSORE
COMPRESSEUR - KOMPRESSOR</p> | <p>5 WATER PUMP - POMPA
POMPE A EAU - WASSERPUMPE</p> <p>6 FAN MOTOR - VENTILATORE
MOTOVENTILATEUR - LÜFTERMOTOR</p> <p>7 WATER SOL. VALVE - VALV. INGR. ACQUA
VANNE ARRIVEE EAU - WASSEREINLASSVENTIL</p> <p>8 HOT. GAS VALVE - VALVOLA GAS CALDO
VANNE GAZ CHAUDS - HEISSGASVENTIL</p> | <p>9 HI TEMP. THERMOSTAT - TERMOSTATO DI MASSIMA
THERMOSTAT DE SECURITE - SICHERHEITSTHERMOSTAT</p> <p>10 FILLING SWITCH - INTERRUPTORE CARICO
INTERRUPTEUR CHARGEMENT EAU - FULLSCHALTER</p> <p>11 PRESSURE CTRL - PRESSOSTATO
PRESSOSTAT - DRUCKSCHALTER</p> <p>12 COND. WATER SOL. VALVE - VALV. ALIM. ACQUA COND.
VANNE ARR. EAU CONDEN. - WASSEREINLASSVENTIL KOND.</p> |
|--|--|--|

WIRING DIAGRAM - SCHEMA ELETTRICO - SCHÉMA ÉLECTRIQUE - SCHALTUNGSSCHEMA

AIR & WATER COOLED - RAFFREDDAMENTO AD ARIA ED AD ACQUA.
REFROIDISSEMENT A AIR ET A EAU - LUFT- UND WASSERGEKÜHLT

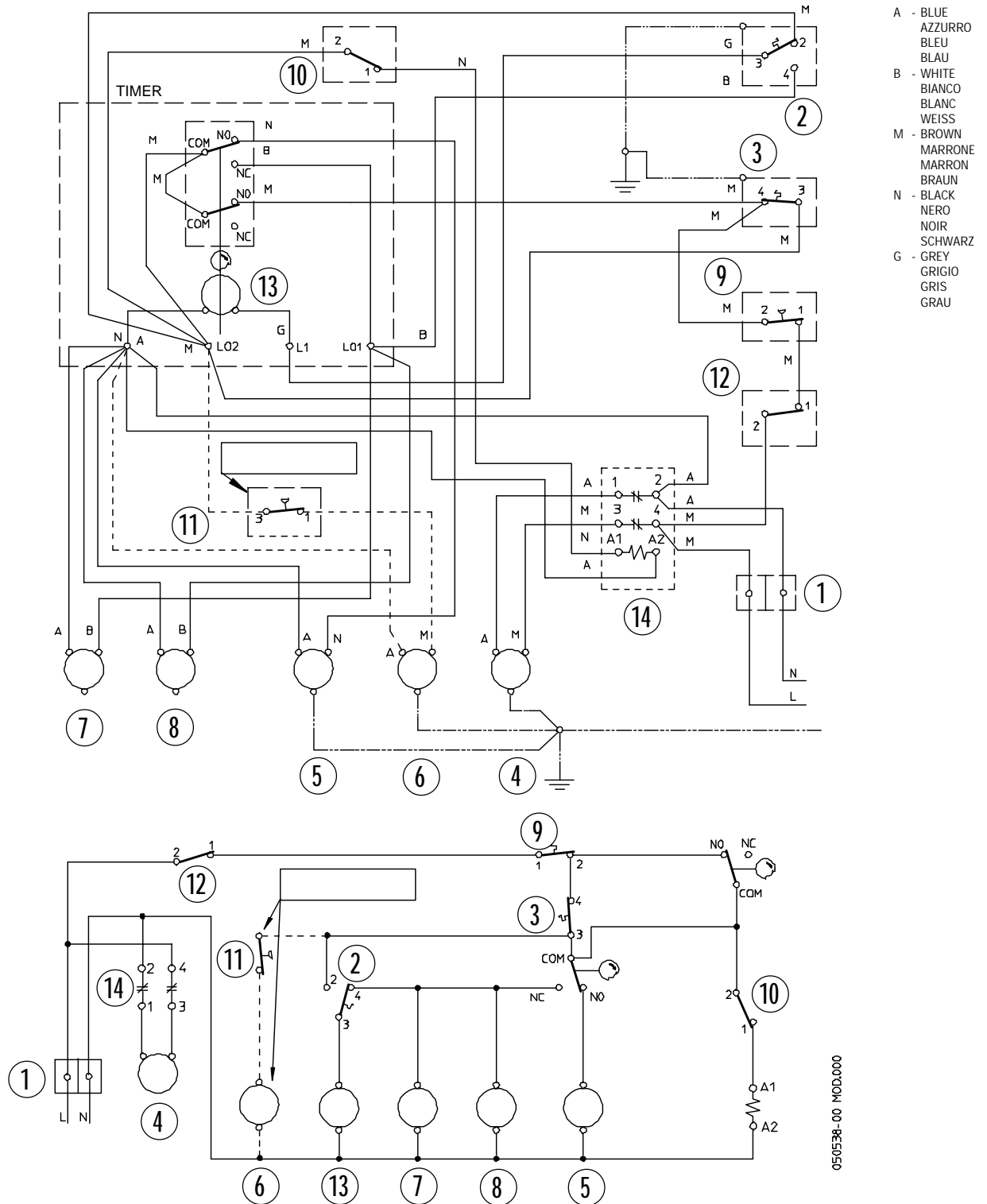
230/50-60/1

1 TERMINAL BOARD - MORSETTIERA
BORNIER - ANSCHLUSSKASTEN2 EVAPORATOR THERMOSTAT - TERMOSTATO EVAPORATORE
THERMOSTAT EVAPORATEUR - VERDAMPFER-THERMOSTAT3 BIN THERMOSTAT - TERMOSTATO CONTENITORE
THERMOSTAT CABINE - SPEICHER-THERMOSTAT4 COMPRESSOR - COMPRESSORE
COMPRESSEUR - KOMPRESSOR5 WATER PUMP - POMPA
POMPE A EAU - WASSERPUMPE6 FAN MOTOR - VENTILATORE
MOTOVENTILATEUR - LÜFTERMOTOR7 WATER SOL. VALVE - VALV. INGR. ACQUA
VANNE ARRIVÉE EAU - WASSEREINLASSVENTIL8 HOT. GAS VALVE - VALVOLA GAS CALDO
VANNE GAZ CHAUDS - HEISSGASVENTIL9 PRESSURE CTRL. - PRESSOSTATO
PRESSOSTAT - DRUCKSCHALTER10 COND. WATER SOL. VALVE - VALV. ALIM. ACQUA COND.
VANNE ARR. EAU CONDEN. - WASSEREINLASSVENTIL KOND.11 SWITCH - INTERRUTTORE
INTERRUPTEUR - SCHALTER12 HI THERMOSTAT - TERMOSTATO DI SICUREZZA
THERMOSTAT DE SECURITE - SICHERHEITSTHERMOSTAT13 TIMER - TIMER
PENDULE - ZEITHUR14 COMPRESSOR SWITCH - INTERRUTTORE COMPRESORE
INTERRUPTEUR COMPRESSEUR - KOMPRESSORSCHALTER

WIRING DIAGRAM - SCHEMA ELETTICO - SCHÉMA ÉLECTRIQUE - SCHALTUNGSSCHEMA

AIR & WATER COOLED - RAFFREDDAMENTO AD ARIA ED AD ACQUA.
REFROIDISSEMENT A AIR ET A EAU - LUFT- UND WASSERGEKÜHLT

230/50-60/1



1 TERMINAL BOARD - MORSETTIERA
BORNIER - ANSCHLUSSKASTEN

2 EVAPORATOR THERMOSTAT - TERMOSTATO EVAPORATORE
THERMOSTAT EVAPORATEUR - VERDAMPFER THERMOSTAT

3 BIN THERMOSTAT - TERMOSTATO CONTENITORE
THERMOSTAT CABINE - SPEICHER THERMOSTAT

4 COMPRESSOR - COMPRESSORE
COMPRESSEUR - KOMPRESSOR

5 WATER PUMP - POMPA
POMPE A EAU - WASSERPUMPE

6 FAN MOTOR - VENTILATORE
MOTOVENTILATEUR - LÜFTERMOTOR

7 WATER SOL. VALVE - VALV. INGR. ACQUA
VANNE ARRIVEE EAU - WASSEREINLASSVENTIL

8 HOT. GAS VALVE - VALVOLA GAS CALDO
VANNE GAZ CHAUDS - HEISSGASVENTIL

9 HI TEMP. THERMOSTAT - TERMOSTATO DI MASSIMA
THERMOSTAT DE SECURITE - SICHERHEITSTHERMOSTAT

10 COMPRESSOR SWITCH - INTERRUPTORE COMPRESSORE
INTERRUPTEUR COMPRESSEUR - KOMPRESSORSCHALTER

11 PRESSURE CTRL - PRESSOSTATO
PRESSOSTAT - DRUCKSCHALTER

12 SWITCH - INTERRUPTORE
INTERRUPTEUR - SCHALTER

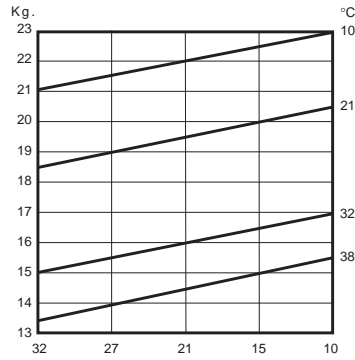
13 TIMER - TIMER
PENDULE - ZEITHUR

14 CONTACTOR - TELERUTTORE
CONTACTEUR - SCHALTSCHUTZ

Capacità di produzione - Ice making capacity - Capacité de production - Eisproduktionskapazität

PRODUZIONE GHIACCIO PER 24 ORE - ICE PRODUCED PER 24 HRS.
PRODUCTION DE GLACE PAR 24 HEURES - EISWÜRFELPRODUKTION IN 24 STD.

RAFFREDDAMENTO AD ARIA - AIR COOLED MODELS
CONDENSATION PAR AIR - LUFTKÜHLUNG



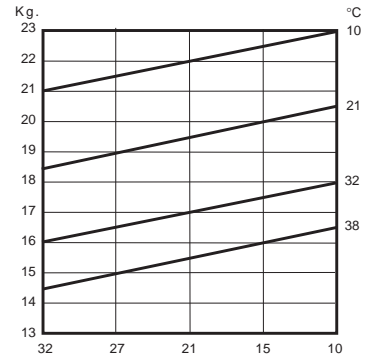
TEMPERATURA ACQUA - WATER TEMPERATURE
TEMPÉRATURE DE L'EAU - WASSERTEMPERATUR

TEMPERATURA AMBIENTE - AMBIENT TEMPERATURE
TEMPÉRATURE AMBIANT - RAUMTEMPERATUR

21

PRODUZIONE GHIACCIO PER 24 ORE - ICE PRODUCED PER 24 HRS.
PRODUCTION DE GLACE PAR 24 HEURES - EISWÜRFELPRODUKTION IN 24 STD.

RAFFREDDAMENTO AD ACQUA - WATER COOLED MODELS
CONDENSATION PAR EAU - WASSERKÜHLUNG

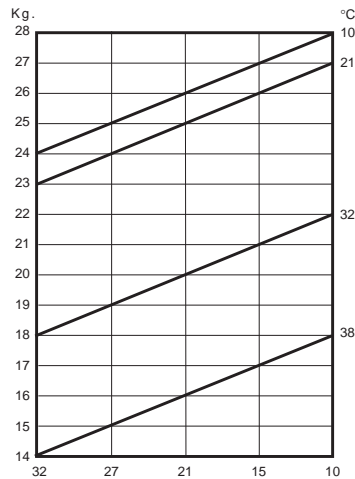


TEMPERATURA ACQUA - WATER TEMPERATURE
TEMPÉRATURE DE L'EAU - WASSERTEMPERATUR

TEMPERATURA AMBIENTE - AMBIENT TEMPERATURE
TEMPÉRATURE AMBIANT - RAUMTEMPERATUR

PRODUZIONE GHIACCIO PER 24 ORE - ICE PRODUCED PER 24 HRS.
PRODUCTION DE GLACE PAR 24 HEURES - EISWÜRFELPRODUKTION IN 24 STD.

RAFFREDDAMENTO AD ARIA - AIR COOLED MODELS
CONDENSATION PAR AIR - LUFTKÜHLUNG



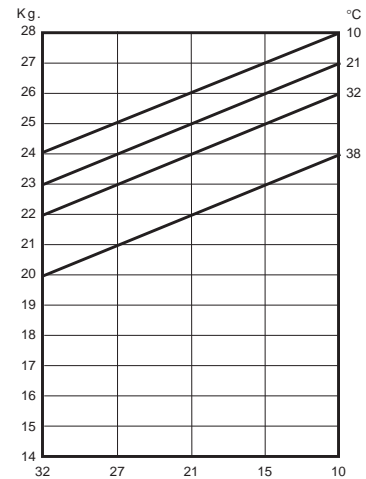
TEMPERATURA ACQUA - WATER TEMPERATURE
TEMPÉRATURE DE L'EAU - WASSERTEMPERATUR

TEMPERATURA AMBIENTE - AMBIENT TEMPERATURE
TEMPÉRATURE AMBIANT - RAUMTEMPERATUR

31

PRODUZIONE GHIACCIO PER 24 ORE - ICE PRODUCED PER 24 HRS.
PRODUCTION DE GLACE PAR 24 HEURES - EISWÜRFELPRODUKTION IN 24 STD.

RAFFREDDAMENTO AD ACQUA - WATER COOLED MODELS
CONDENSATION PAR EAU - WASSERKÜHLUNG

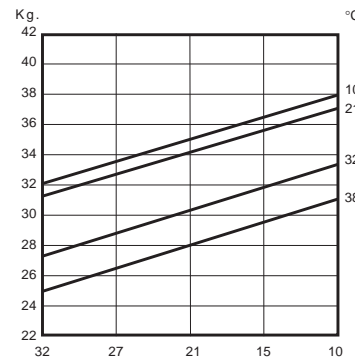


TEMPERATURA ACQUA - WATER TEMPERATURE
TEMPÉRATURE DE L'EAU - WASSERTEMPERATUR

TEMPERATURA AMBIENTE - AMBIENT TEMPERATURE
TEMPÉRATURE AMBIANT - RAUMTEMPERATUR

PRODUZIONE GHIACCIO PER 24 ORE - ICE PRODUCED PER 24 HRS.
PRODUCTION DE GLACE PAR 24 HEURES - EISWÜRFELPRODUKTION IN 24 STD.

RAFFREDDAMENTO AD ARIA - AIR COOLED MODELS
CONDENSATION PAR AIR - LUFTKÜHLUNG



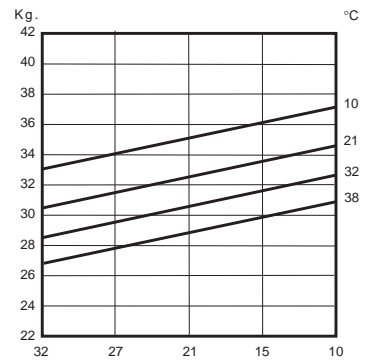
TEMPERATURA ACQUA - WATER TEMPERATURE
TEMPÉRATURE DE L'EAU - WASSERTEMPERATUR

TEMPERATURA AMBIENTE - AMBIENT TEMPERATURE
TEMPÉRATURE AMBIANT - RAUMTEMPERATUR

40

PRODUZIONE GHIACCIO PER 24 ORE - ICE PRODUCED PER 24 HRS.
PRODUCTION DE GLACE PAR 24 HEURES - EISWÜRFELPRODUKTION IN 24 STD.

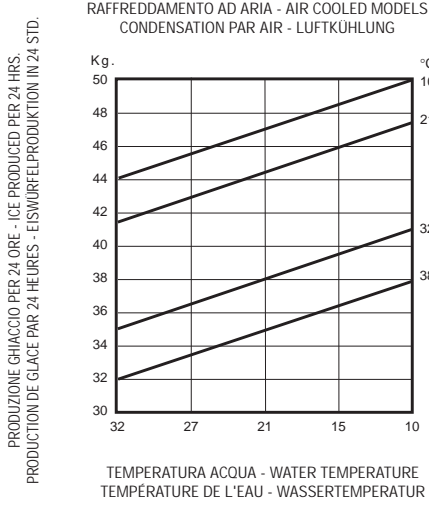
RAFFREDDAMENTO AD ACQUA - WATER COOLED MODELS
CONDENSATION PAR EAU - WASSERKÜHLUNG



TEMPERATURA ACQUA - WATER TEMPERATURE
TEMPÉRATURE DE L'EAU - WASSERTEMPERATUR

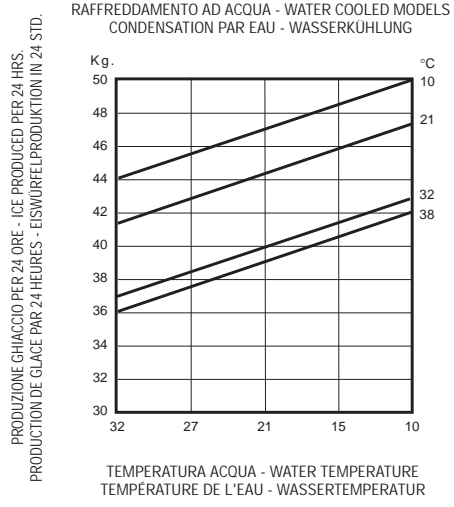
TEMPERATURA AMBIENTE - AMBIENT TEMPERATURE
TEMPÉRATURE AMBIANT - RAUMTEMPERATUR

Capacità di produzione - Ice making capacity - Capacité de production - Eisproduktionskapazität

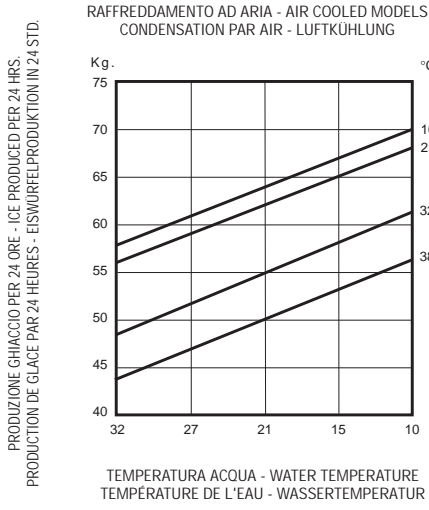


50

TEMPERATURA AMBIENTE - AMBIENT TEMPERATURE
TEMPÉRATURE AMBIANT - RAUMTEMPERATUR

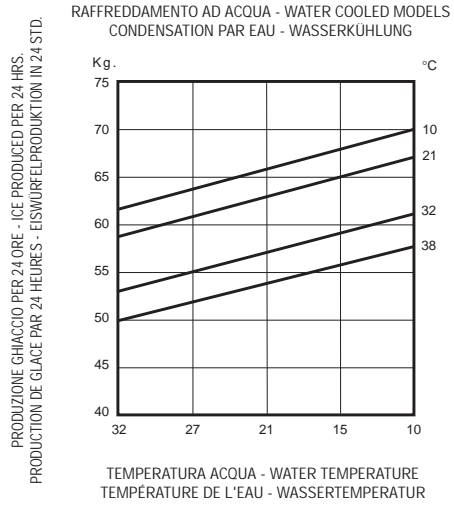


TEMPERATURA AMBIENTE - AMBIENT TEMPERATURE
TEMPÉRATURE AMBIANT - RAUMTEMPERATUR

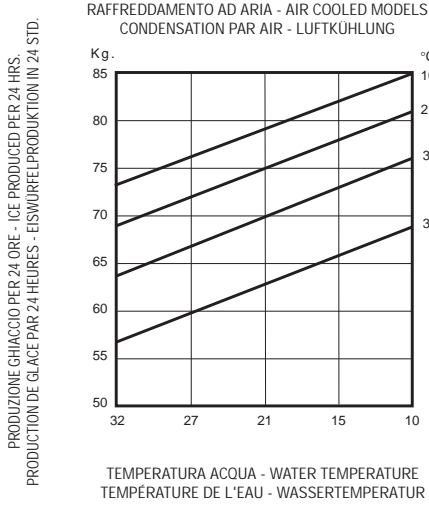


65

TEMPERATURA AMBIENTE - AMBIENT TEMPERATURE
TEMPÉRATURE AMBIANT - RAUMTEMPERATUR

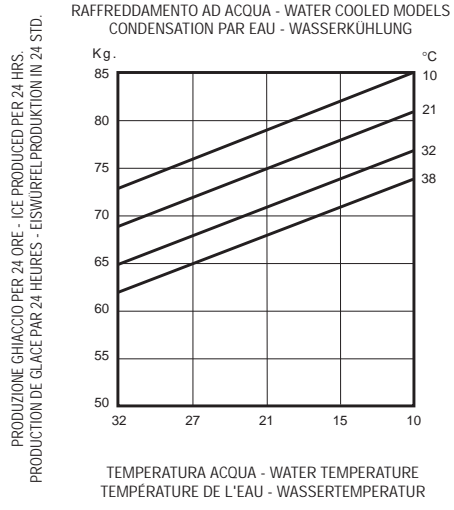


TEMPERATURA AMBIENTE - AMBIENT TEMPERATURE
TEMPÉRATURE AMBIANT - RAUMTEMPERATUR



90

TEMPERATURA AMBIENTE - AMBIENT TEMPERATURE
TEMPÉRATURE AMBIANT - RAUMTEMPERATUR



TEMPERATURA AMBIENTE - AMBIENT TEMPERATURE
TEMPÉRATURE AMBIANT - RAUMTEMPERATUR

GENERAL INFORMATION AND INSTALLATION

A. INTRODUCTION

These Cubers are quality designed, engineered and manufactured.

Their ice making systems are thoroughly tested providing the utmost in flexibility to fit the needs of a particular user.

These ice makers have been engineered to our own rigid safety and performance standards.

NOTE. *To retain the safety and performance built into this icemaker, it is important that installation and maintenance be conducted in the manner outlined in this manual.*

B. UNPACKING AND INSPECTION

1. Visually inspect the exterior of the packing and skid. Any severe damage noted should be reported to the delivering carrier and a concealed damage claim form filled in subject to inspection of the contents with the carrier's representative present.

2. a) Cut and remove the plastic strip securing the carton box to the skid.

b) Cut open the top of the carton and remove the polystyrene protection sheet.

c) Pull out the polystyrene posts from the corners and then remove the carton.

3. Remove the front and the rear panels of the unit and inspect for any concealed damage. Notify carrier of your claim for the concealed damage as stated in step 1 above.

4. Open the bin door and remove all internal support packing and masking tape.



5. Check that refrigerant lines do not rub against or touch other lines or surfaces, and that the fan blade moves freely.

6. Use clean damp cloth to wipe the surfaces inside the storage bin and the outside of the cabinet.

7. See data plate on the rear side of the unit and check that local main voltage corresponds with the voltage specified on it.

CAUTION. *Incorrect voltage supplied to the icemaker will void your parts replacement program.*

8. Remove the manufacturer's registration card from the inside of the User Manual and fill-in all parts including: Model and Serial Number taken from the data plate.

Forward the completed self-addressed registration card to the factory.

C. LOCATION AND LEVELLING

WARNING. *This Ice Cuber is designed for indoor installation only. Extended periods of operation at temperatures exceeding the following limitations will constitute misuse under the terms of the Manufacturer's Limited Warranty resulting in LOSS of warranty coverage.*

1. Position the unit in the selected permanent location.

Criteria for selection of location include:

a) Minimum room temperature 10°C (50°F) and maximum room temperature 40°C (100°F).

b) Water inlet temperatures: minimum 5°C (40°F) and maximum 35°C (90°F).

c) Well ventilated location for air cooled models. Clean the air cooled condenser at frequent intervals.

d) Service access: adequate space must be left for all service connections through the rear of the ice maker. A minimum clearance of 15 cm (6") must be left at the sides of the unit for routing cooling air drawn into and exhausted out of the compartment to maintain proper condensing operation of air cooled models.

NOTE. *With the unit in "built-in" conditions, the ice production is gradually reduced in respect to the levels shown in the graph, up to a maximum of 10% at room temperatures higher than 32°C.*

The daily ice-making capacity is directly related to the condenser air inlet temperature, water temperature and age of the machine.

*To keep your **CUBER** at peak performance levels, periodic maintenance checks must be carried out as indicated on Cleaning Section of this manual.*

2. Level the unit in both the left to right and front to rear directions.

D. ELECTRICAL CONNECTIONS

See data plate for current requirements to determine wire size to be used on electrical connections. All icemakers require a **solid earth wire**.

The ice machines are supplied from the factory completely pre-wired and require only electrical power connections to wire cord provided on the back of the unit.

Make sure that the ice machine is connected to its own circuit and individually fused (see data plate for fuse size).

The maximum allowable voltage variation should not exceed -10% and +10% of the data plate rating. Low voltage can cause faulty functioning and may be responsible for serious damage to the overload switch and motor windings.

NOTE. All external wiring should conform to national, state and local standards and regulations.
Check voltage on the line and the ice maker's data plate before connecting the unit.

E. WATER SUPPLY AND DRAIN CONNECTIONS

General

When choosing the water supply for the ice cuber consideration should be given to:

- a) Length of run
- b) Water clarity and purity
- c) Adequate water supply pressure

Since water is the most important single ingredient in producing ice you cannot emphasize too much the three items listed above.

Low water pressure, below 1 bar may cause malfunction of the ice maker unit.

Water containing excessive minerals will tend to produce cloudy coloured ice cubes, plus scale built-up on parts of the water system.

Water supply

Connect the 3/4" male fitting of the solenoid water inlet valve, using the flexible hose supplied, to the cold water supply line with regular plumbing

fitting and a shut-off valve installed in an accessible position between the water supply line and the unit.

Water supply - Water cooled models (65-90)

The water cooled versions of series 65 and 90 require two separate inlet water supplies, one for the water sprayed for making the ice cubes and the other for the water cooled condenser.

Connect the 3/4" male fitting of the water regulating valve using the flexible hose supplied with the unit to the cold water supply line with regular plumbing fitting and a shut-off valve installed in an accessible position between the water supply line and the unit.

Water drain

The recommended drain tube is a plastic or flexible tube with 18 mm (3/4") I.D. runs to an open trapped and vented drain. When the drain is a long run, allow 3 cm pitch per meter (1/4" pitch per foot).

A vertical open vent, at the unit drain connection, is also required for proper sump drainage.

Water drain - Water cooled models

The water drain line from the condenser, on water cooled versions, is internally connected with the drain fitting of the unit.

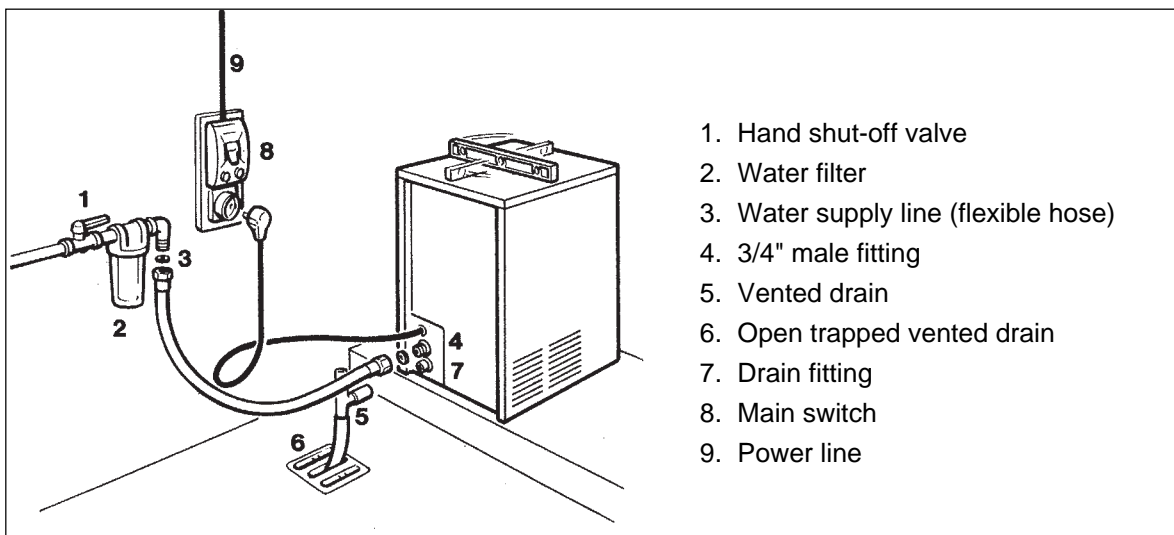
It is strongly recommended therefore to install a vertical open vent on unit drain line high point to ensure good draining and to direct the drain line to a trapped and vented floor drain receptacle. This to make sure of the proper flow of the drained water as, in case of poor drainage, the water running out from the condenser may inopportunely flow, through the unit drain tubing, into the ice storage bin.

NOTE. The water supply and the water drain must be installed to conform with the local code. In some case a licensed plumber and/or a plumbing permit is required.

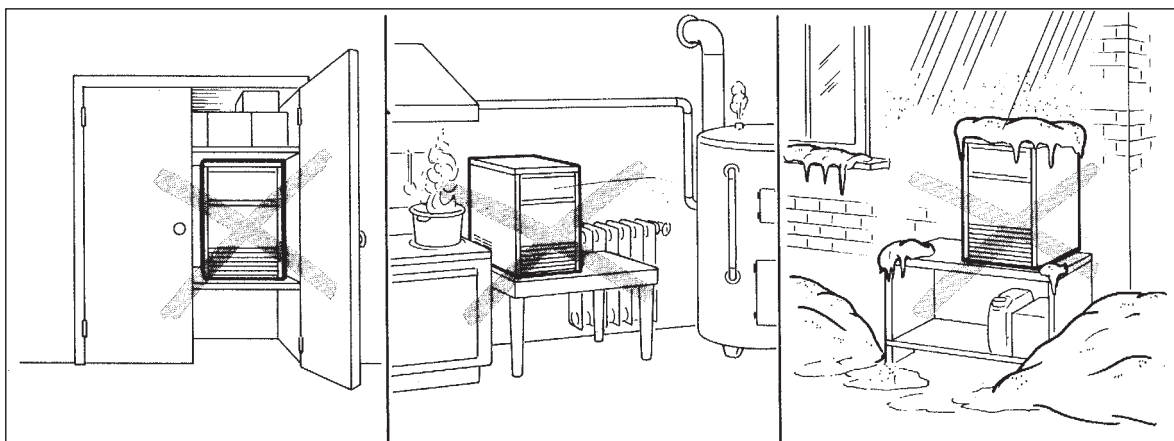
F. FINAL CHECK LIST

1. Is the unit in a room where ambient temperatures are within a minimum of 10°C (50°F) even in winter months?
2. Is there at least a 15 cm (6") clearance around the unit for proper air circulation?
3. Is the unit level? (IMPORTANT)
4. Have all the electrical and plumbing connections been made, and is the water supply shut-off valve open?
5. Has the voltage been tested and checked against the data plate rating?
6. Has the water supply pressure been checked to ensure a water pressure of at least 1 bar (14 psi).
7. Check all refrigerant lines and conduit lines to guard against vibrations and possible failure.
8. Have the bin liner and cabinet been wiped clean?
9. Has the owner/user been given the User Manual and been instructed on the importance of periodic maintenance checks?
10. Has the Manufacturer's registration card been filled in properly? Check for correct model and serial number against the serial plate and mail the registration card to the factory.
11. Has the owner been given the name and the phone number of the authorized Service Agency serving him?

G. INSTALLATION PRACTICE



WARNING. This icemaker is not designed for outdoor installation and will not function in ambient temperatures below 10°C (50°F) or above 40°C (100°F). This icemaker will malfunction with water temperatures below 5°C (40°F) or above 35°C (90°F).



OPERATING INSTRUCTIONS

START UP

After having correctly installed the ice maker and completed the plumbing and electrical connections, perform the following "Start-up" procedure.

21-31-40

A. Remove the unit front panel and locate the cleaning switch on the control box.

B. Set the cleaning switch in the cleaning position (II). This will close the electrical circuit to the water inlet valve and to the hot gas valve.

C. Switch ON the power line disconnect switch. Unit will start up in water filling phase mode. During this phase the components energized are:

WATER INLET SOLENOID VALVE
HOT GAS SOLENOID VALVE

The **Water pump** and the **Fan motor** are also in operation.

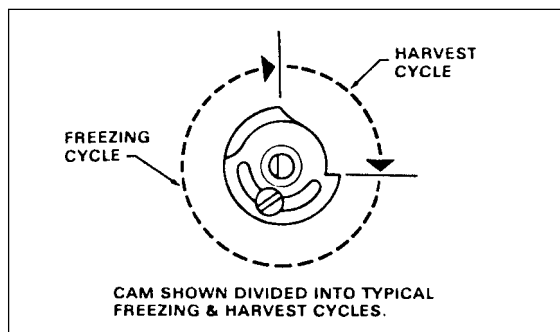
D. Let unit stay in water filling phase mode for about three/four minutes till water is coming out from the drain hose, then move the cleaning switch to the operation position (I).

50-65-90

A. Remove the unit front panel and locate the timer shaft on the control box.

B. Check that master and the compressor switch located on the lower left hand side of the control box are both in the OFF position.

C. Rotate the timer shaft protruding through the front of the control box clockwise, until an audible click is heard indicating that the actuator arm of the microswitch has dropped into the cam slot (Fig. A).



D. Set the master switch to the ON position. The compressor switch must stay in the OFF position. This will close the electrical circuit to the water inlet valve and to the hot gas valve.

E. Switch ON the power line disconnect switch. Unit will start up in defrost cycle mode.

During this cycle the components energized are:

WATER INLET SOLENOID VALVE
HOT GAS SOLENOID VALVE
TIMER MOTOR

F. After completion of harvest cycle (about three minutes) move the compressor switch to ON position.

NOTE. During the defrost cycle, the water inlet solenoid valve is energized. The water flows through the valve to the back side of the evaporator platen and then down to fill up the icemaker sump tank for the next freezing cycle.

OPERATIONAL CHECKS

A. The unit now starts its first freezing cycle with the following components in operation:

COMPRESSOR
WATER PUMP

FAN MOTOR in air cooled version

B. Check to see through the ice discharge opening that the spray system is correctly seated and that the water jets uniformly reach the interior of the inverted cup molds; also make sure that the plastic curtain is hanging freely and there is not excessive water spilling through it.

C. The ice making process takes place thereby, with the water sprayed into the molds that gets gradually refrigerated by the heat exchanged with the refrigerant flowing into the evaporator serpentine.

D. On units 21-31-40 when the evaporator temperature reaches a preset value the evaporator thermostat or cube size control changes its contacts; the freezing cycle ends and starts the defrost or harvest cycle.

E. On units 50-65-90 the time clock does not rotate at the end of the harvest cycle. It starts later when the cube size thermostat control bulb (pig tail) located on the evaporator coil reaches a temperature of approx. -15°C (5°F).

Freezing time will range between 20 and 22 minutes in a 21°C ambient temperature, longer if above this temperature and shorter if below. The average complete cycle time is between 23 and 25 minutes.

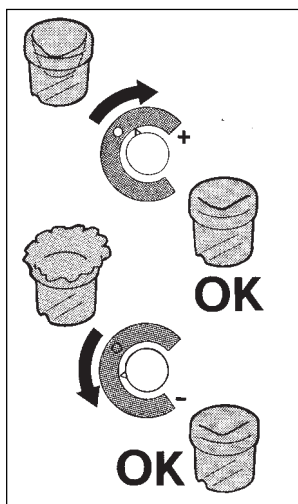
F. Check, during the first defrost/harvest cycle, that the incoming water flows correctly into the sump reservoir in order to re-fill it and the surplus overflows through the overflow drain tube.

G. Check the texture of ice cubes just released. Right size must have a small depression (about 5-6 mm) in their crown. If not, wait for the second defrost/harvest cycle before performing any adjustment.

H. If required on model 21, 31 and 40, the length of the freezing cycle can be modified by turning the knob of the cube size control or evaporator thermostat located in front of the control box until the desired size is achieved.

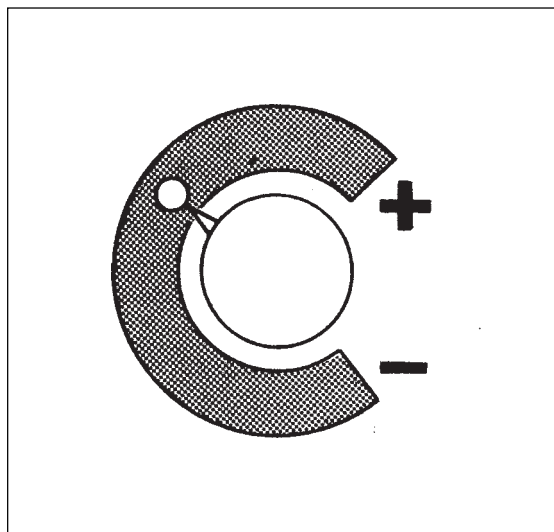
- If the temperature of the room in which the machine is placed is below 20°C, the cubes will tend to be partly hollowed out (see fig. on right).

- If, on the other hand, the room temperature is above 30°C the cubes produced will have a jagged rim of ice around the crown.



If it is thought necessary, the above situations can be rectified by, in the first case, turning the control knob (as little or as much as is required) clockwise and, in the second case, turning the knob to the right counterclockwise.

It should, however, be remembered that if the room temperature returns later to the 20 ÷ 30°C range, the knob indicator must once again be turned to point to the dot (see fig. below).



If the ice cubes are shallow and cloudy, it is possible that the ice maker runs short of water during the end of the freezing cycle or, the quality of the supplied water requires the use of an appropriate water filter or conditioner.

I. At the end of the defrost or harvest cycle hold a handful of ice cubes against the bulb of the storage bin thermostat; the icemaker switch OFF in about one-two minutes. Take out the ice from the storage bin thermostat. The ice maker should restart automatically in three-four minutes.

NOTE. The bin thermostat is factory set at 1°C (35°F) OUT and 4°C (39°F) IN.

K. Re-fit the unit front panel then instruct the owner/user on the general operation of the ice machine and about the cleaning and care it requires.

PRINCIPLE OF OPERATION

How it works

In the ice makers the water used to make the ice is kept constantly in circulation by a water pump which primes it to the spray system nozzles from where it is diverted into the inverted cup molds of the evaporator (Fig. A).

A small quantity of the sprayed water freezes into ice; the rest of it cascades by gravity into the sump assembly below for recirculation.

FREEZING CYCLE (Fig. B)

The hot gas refrigerant discharged out from the compressor reaches the condenser where, being cooled down, condenses into liquid. Flowing into the liquid line it passes through the drier/filter, then it goes all the way through the capillary tube where it loses its pressure.

Next the refrigerant enters into the evaporator serpentine (which has a larger diameter than the capillary tube) and starts to boil off; this reaction is emphasized by the heat transferred by the sprayed water.

The refrigerant then increases in volume and changes entirely into vapor.

The vapor refrigerant then passes through the suction accumulator (used to prevent that any small amount of liquid refrigerant may reach the compressor) and through the suction line. In both the accumulator and the suction line it exchanges heat with the refrigerant flowing into the capillary tube (warmer), before to be sucked in the compressor and to be recirculated as hot compressed refrigerant gas.

The freezing cycle on 21-31-40 is controlled by only the evaporator thermostat which has its bulb in contact with the evaporator serpentine while in 50-65-90 there is a second phase controlled by a timer.

The electrical components in operation during the freezing cycle are:

COMPRESSOR

WATER PUMP

FAN MOTOR (in air cooled version)

On 21-31-40 air cooled versions the refrigerant head pressure is gradually reduced from a value of approx. **11 bars (155 psig)** at the beginning of the freezing cycle with the unit at 21°C (70°F) ambient temperature, to a minimum value of approx. **7 bars (100 psig)** just at the end of the freezing cycle few seconds before the starting of the defrost cycle.

On 50-65-90 air cooled versions the refrigerant head pressure is kept between two pre-set values (**10÷8,5 bar - 140÷120 psig**) with the unit at 21°C (70°F) ambient temperature.

The declining of the pressure is related to the reduction of the evaporating pressure, caused by the progressive growth of the ice thickness into the inverted cup molds and to the flow of air

drown through the air cooled condenser by the fan motor. The above values are in relation as well to the ambient temperature of the ice maker site and they are subject to rise with the increase of this temperature.

On 21-31-40-50 water cooled versions the refrigerant head pressure ranges between **8.5 and 10 bars (120÷140 psig)** being controlled by an automatic high pressure control that energizes a water solenoid valve located on the water line to the condenser, which rates the cooling water to the condenser.

On 65-90 water cooled versions the head pressure is constant at **9.5 bar (135 psig)** controlled by a water regulating valve.

At starting of freezing cycle the refrigerant suction or low-pressure lowers rapidly to **1.0 bar - 14 psig** then it declines gradually - in relation with the growing of the ice thickness - to reach, at the end of the cycle, approx. **0÷0.1 bar - 0÷1.5 psig** on the models 21, 31 and 40 and 0.2÷0.3 bar (3÷4 psig) on models 50, 65 and 90 with the cubes fully formed in the cup molds.

The total length of the freezing cycle ranges from 23 to 25 minutes.

DEFROST OR HARVEST CYCLE (Fig. D)

On 21-31-40 the temperature of the evaporator thermostat, in contact with the evaporator serpentine, drops to a pre-set value it changes its electrical contacts energizing the herebelow shown components.

(On 50-65-90 when the timer microswitch drops down into the lower portion of the cam it changes its electrical contacts energizing the same components).

COMPRESSOR

WATER INLET SOLENOID VALVE

HOT GAS SOLENOID VALVE

The incoming water, passing through the water inlet valve and the flow control, runs over the evaporator platen and then flows by gravity through the dribbler holes down into the sump/reservoir (Fig. C).

The water filling the sump/reservoir forces part of the surplus water from the previous freezing cycle to go out to the waste through the overflow pipe. This overflow limits the level of the sump water which will be used to produce the next batch of ice cubes.

Meanwhile the refrigerant, as hot gas discharged from the compressor, flows through the hot gas valve directly into the evaporator serpentine bypassing the condenser.

The hot gas circulating into the serpentine of the evaporator warms up the copper molds causing the harvest of the ice cubes. The ice cubes, released from the cups, drop by gravity onto a slanted cube chute, then through a curtained opening they fall into the storage bin.

On 21-31-40 when the temperature of the evaporator thermostat bulb reaches the value of $+3\pm 4^{\circ}\text{C}$ their electrical contacts move back to the previous position activating a new freezing cycle and deenergizing both the hot gas and the water inlet valves (closed).

On 50-65-90 as soon as the timer microswitch completes the bottom part of the cam and it is pushed again, it activates a new freezing cycle deenergizing both the hot gas and the water inlet valves (closed).

NOTE. On models 21, 31 and 40 the length of the defrost/harvest cycle (not adjustable) changes according to the ambient temperature (shorter for hi ambient temperature and longer for low one).

COMPONENTS DESCRIPTION

A. WATER PUMP

The water pump operates continually throughout the freezing cycle. The pump primes the water from the sump to the spray system and through the spray nozzles sprays it into the inverted cup molds to be frozen into crystal clear ice cubes.

B. WATER INLET SOLENOID VALVE - 3/4 MALE FITTING

The water inlet solenoid valve is energized only during the defrost cycle.

When energized it allows a metered amount of incoming water to flow over the evaporator cavity to assist the hot gas in defrosting the ice cubes. The water running over the evaporator cavity drops by gravity, through the dribbler holes of the platen, into the sump reservoir.

On 21-31-40-50 water cooled versions the water inlet solenoid valve has one inlet and two outlets with two separate solenoids energized the first (ice production) by the contacts 3-2 of the evaporator thermostat and the second (water cooled condenser) by a specific hi pressure control.

C. HOT GAS SOLENOID VALVE

The hot gas solenoid valve consists basically in two parts: the valve body and the valve coil.

During the defrost cycle the hot gas valve coil is activated so to attract the hot gas valve piston in order to give way to the hot gas discharged from compressor to flow directly into the evaporator serpentine to defrost the formed ice cubes.

D. BIN THERMOSTAT

The bin thermostat control body is located in the front of control box behind the front panel.

The thermostat sensing tube is located into a bulb holder on the side wall of the ice storage bin where it automatically shuts the icemaker OFF when in contact with the ice and re-starts the icemaker when the ice is removed. Factory settings are 1°C (35°F) OUT and 4°C (39°F) IN.

E. CUBE SIZE CONTROL (EVAPORATOR THERMOSTAT)

21-31-40

The cube size control (evaporator thermostat) body is located in the control box behind the front panel; it's basically a reverse acting temperature control which closes the contacts 3-2 when its temperature decreases and closes the opposite contacts 3-4 when the temperature rises.

The thermostat sensing bulb is located into a plastic tube (bulb holder) secured by two clips directly to the evaporator serpentine.

This control determines the length of the freezing cycle and correspondingly the size of the cubes. A lower setting will produce a larger cube (oversize) while a higher setting a smaller cuber (shallow size).

When closed on contacts 3-2 it activates the defrost or harvest cycle components.

The cube size control is set up in the factory (knob in the black dot position) and doesn't require any adjustment when the ambient temperature remains between 20 and 30°C (70 and 90°F).

50-65-90

The evaporator thermostat with its sensing bulb intimately in contact with the refrigerant outlet tube from the evaporator senses the evaporating refrigerant temperature (which declines in the course of the freezing cycle) and when this one reaches the pre-set value, it switches its contacts from 3-4 to 3-2 to activate the finishing cycle (2nd phase) which has a pre-set extension determined by the large diameter lobe of the timer cam.

F. FAN MOTOR (Air cooled version)

The fan motor on 21-31-40 is electrically connected in parallel to the water pump and it operates continuously only during the freezing cycle keeping the proper head pressure by circulating air through the condenser fins.

On 50-65-95 the operation of fan motor is controlled by a fan pressure control adjusted at preset values.

G. COMPRESSOR

The hermetic compressor is the heart of the refrigerant system and it is used to circulate and retrieve the refrigerant throughout the entire system. It compresses the low pressure refrigerant vapor causing its temperature to rise and become high pressure hot vapor (hot gas) which is then released through the discharge valve.

H. WATER SPRAY SYSTEM

Through its nozzles it sprays the water in each individual cup to be frozen into ice.

I. SAFETY HI TEMPERATURE THERMOSTAT

Located in the control box it is a manual reset switch that trips OFF the operation of the machine when its bulb (located on the liquid line just before the drier) reaches the temperature of 70°C (158°F).

J. CLEANING SWITCH (only 21-31-40)

Located on the bottom left side of the control box is used to energize the water inlet and the hot gas valves so to charge the water into the sump tank of the machine.

K. HI PRESSURE CONTROL (Water cooled version)

Used only on 21-31-40-50 water cooled versions it operates to keep between 8.5 and 10 bars (120 ÷ 140 psig) the hi-side or discharge pressure of the refrigerant system by energizing the coil of the water inlet solenoid valve that control the cooling water flow to the condenser.

L. TIMER (only 50-65-90)

Equipped with two microswitches which plungers ride one timer cam, the timer is located inside the control box.

The function of the timer begins when activated by the cube size control (evap. thermostat).

The large diameter lobe of its cam determines the length of the 2nd portion of the freezing cycle, while the cam small diameter lobe, determines the time cycle for the harvest sequence.

The timer cam can be adjusted to vary the defrost time as required.

WARNING. Never set the defrost time for longer than 4 minutes as this will jeopardize the compressor motor windings.

It goes without saying that an extension of the defrost period will directly reduce the timed portion of the freezing cycle and viceversa.

Consequently any variation made at the timer cam setting requires a compensation adjustment, very fine and very accurate, of the evaporator thermostat.

M. MASTER SWITCH (only 50-65-90)

Fitted in the control box the master switch has to be used to start-up and to stop the ice maker operation.

N. COMPRESSOR SWITCH (only 50-65-90)

Located in the control box is used to de-energized the compressor during the cleaning.

O. FAN PRESSURE CONTROL (only 50-65-90)

Used on air cooled ice makers to maintain the head pressure within the preset values.

P. WATER REGULATING VALVE (only 65-90 Water cooled version only)

This valve controls the head pressure in the refrigerant system by regulating the flow of water going to the condenser.

As pressure increases, the water regulating valve opens to increase the flow of cooling water.

Q. CONTACTOR (65-90 only)

It operates in order to close or open the electrical circuit to the compressor.

MAINTENANCE AND CLEANING INSTRUCTIONS

CLEANING INSTRUCTIONS OF WATER SYSTEM

1. Remove the front and top panels to gain access either to the control box and to the evaporator.
2. Make sure that all ice cubes have been released from their cups, then switch OFF the machine at main power switch, on models 21-31-40, and on compressor and master switches on models 50-65-90.
3. Scoop out all the ice cubes stored into the bin in order to prevent them from being contaminated with the cleaning solution.
4. On B 21-31 remove the plastic cup located on the bottom of sump/freezing chamber to drain out all water and scale deposits.
5. Remove the curtain then, using a bottle, pour fresh water into the bottom of the sump/freezing chamber to clean out any possible scale deposit.
6. Install again the curtain as well as the bottom plastic cup.
7. On all other models, flush out the water from the sump reservoir by removing the overflow stand pipe.
8. Prepare the cleaning solution by diluting in a plastic container one or two liters of warm water (45°-50°C) with a 0,1-0,2 liters of Ice Machine Cleaner (on 20-30-40) and 0,2-0,3 liters on 50-65-90.

WARNING. The Ice Machine Cleaner contains Phosphoric and Hydroxyacetic acids. These compounds are corrosive and may cause burns if swallowed, DO NOT induce vomiting. Give large amounts of water or milk. Call Physician immediately. In case of external contact flush with water. KEEP OUT OF THE REACH OF CHILDREN.

9. Remove the evaporator cover then slowly pour onto the evaporator platen the cleaning solution. With the help of a brush dissolve the most resistant and remote scale deposits in the platen.

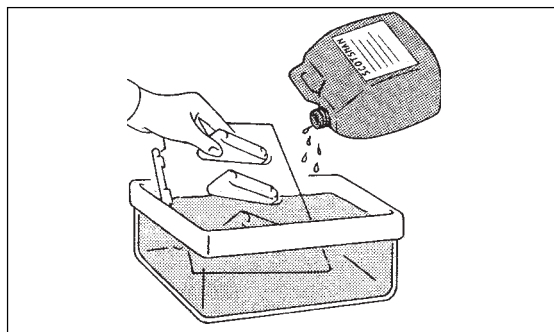
21-31-40

1. On 21-31-40 switch ON again the machine at main power switch to start the icemaking process.

Allow the ice maker to operate for about 20 minutes. Then turn the cleaning toggle switch to the "cleaning" position (II) till the release of the ice cubes from their cups.

NOTE. *The amount Cleaner and the time needed for the cleaning of water system depends of the water conditions.*

2. Turn the cube size control knob counterclockwise to the OFF position to shut-off the ice maker then flush out the cleaning solution from the sump reservoir then pour onto the evaporator cavity two or three liters of clean potable water to rinse the mold cups and the platen.
3. If necessary remove the water spray platen to clean it separately.



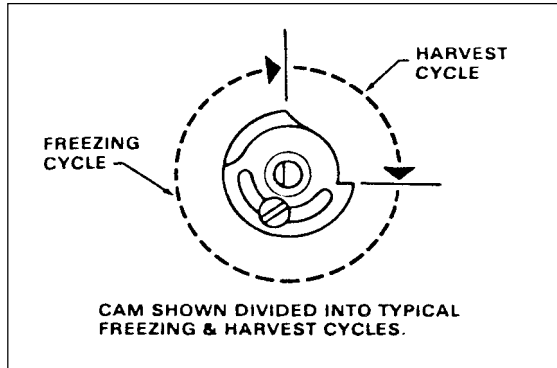
4. Turn again the cube size control knob to the normal operating position (black dot). The water pump is again in operation to circulate the water in order to rinse the entire water system. Do the operation as per steps 8 and 9 twice so to be sure no more traces of descaling solution remains into the sump. Pour on the upper side of the evaporator platen fresh water with a capfull of disinfectant solution then turn again the machine in normal operating mode so to sanitize all the water system for approx. 10 minutes.

NOTE. *Do not mix descaling with disinfectant solution to avoid the generation of a very aggressive acid.*

5. Flush out the disinfectant solution from the sump reservoir then with the switch in "cleaning" position, turn the cube size control knob to the normal operating position. When water starts overflowing through the drain line, set the switch to "operation" position. The unit is now ready to resume normal operation.

50-65-90

1. On 50-65-90 slowly rotate the clock knob clockwise with the aid of a screwdriver until the microswitch actuator arm is at the start position of the freezing cycle.



Immediately set the master switch to the ON position. Leave the compressor switch in the OFF position.

2. Allow the system to operate for about 20 minutes into the freezing cycle. No ice will be produced because the compressor is not in operation.

3. At the end of this period set the master switch to the OFF position to shut off the icemaker.

4. Remove the overflow drain tube from its seat to drain out all the cleaning solution and most of the mineral concentration through the drain tube and then replace it in its seat.

5. Pour onto the evaporator cavity two or three liters of clean potable water to rinse the mold cups and the platen.

6. If necessary remove the water spray platen to clean it separately.

7. Set again the master switch in ON position. The water pump is again in operation to circulate the water in order to rinse the entire water system.

8. Pour on the upper side of the evaporator platen fresh water with a capfull of disinfectant solution then put again the master switch in ON position so to sanitize all the water system for approx. 10 minutes.

NOTE. Do not mix descaling with disinfectant solution to avoid the generation of a very aggressive acid.

9. Flush out the disinfectant solution from the sump reservoir. Slowly rotate the time clock knob clockwise until the microswitch actuator arm is in the START position of the harvest cycle and then set the master switch to the ON position. Let the unit run normally through this part of the cycle. When the defrost has been completed rotate the time clock knob manually until the defrost cycle starts again. Do this two times. Once the water reservoir is properly filled up, set the compressor switch to the ON position. The unit is now ready to resume the normal operation.

10. Place again the evaporator cover and the unit service panels.

11. Place again the evaporator cover and the unit service panels.

12. At completion of the freezing and harvest cycle make sure of proper texture and clearness of the ice cubes and that, they do not have any acid taste.

ATTENTION. In case the ice cubes are cloudy-white and have an acid taste, melt them immediately by pouring on them some warm water. This to prevent that somebody could use them.

13. Wipe clean and rinse the inner surfaces of the storage bin.

REMEMBER. To prevent the accumulation of undesirable bacteria it is necessary to sanitize the interior of the storage bin with an anti-algae disinfectant solution every week.

INFORMAZIONI GENERALI ED INSTALLAZIONE

A. INTRODUZIONE

I fabbricatori di ghiaccio in cubetti sono stati progettati e costruiti con un elevato standard qualitativo.

Essi vengono collaudati interamente per diverse ore e sono in grado di assicurare il massimo rendimento relativamente ad ogni particolare uso e situazione.

NOTA. *Per non compromettere o ridurre le caratteristiche di qualità e sicurezza di questo fabbricatore di ghiaccio si raccomanda, nell'effettuare l'installazione e le operazioni periodiche di manutenzione, di attenersi scrupolosamente a quanto prescritto in questo manuale.*

B. DISIMBALLAGGIO ED ISPEZIONE

1. Ispezionare visivamente l'imballo esterno in cartone e il basamento in legno usati per la spedizione. Qualsiasi danno evidente sull'imballo esterno deve essere riferito allo spedizioniere; in questo caso, procedere ad ispezionare l'apparecchio con il rappresentante dello spedizioniere presente.

2. a) Tagliare e rimuovere i nastri in plastica che mantengono sigillato l'imballo di cartone.

b) Aprire la parte superiore dell'imballo e togliere i fogli e gli angolari protettivi di polistirolo.

c) Sollevare l'intero cartone sfilandolo dall'apparecchio.

3. Togliere il pannello frontale ed il pannello posteriore dell'apparecchio ed ispezionare lo stesso onde accertare se abbia subito danni. Notificare allo spedizioniere eventuali danni subito come riportato al punto 1.

4. Aprire lo sportello e togliere tutti i supporti interni usati per la spedizione e i nastri adesivi di protezione.



5. Controllare che le tubazioni del circuito refrigerante non tocchino altre tubazioni o superfici, e che il ventilatore giri liberamente.

6. Usando un panno pulito e umido, pulire le pareti interne del contenitore del ghiaccio e le superfici esterne dell'apparecchio.

7. Osservare i dati riportati sulla targhetta fissata alla parte posteriore del telaio vicino ai raccordi idraulici ed elettrici, e verificare che il voltaggio della rete elettrica disponibile corrisponda a quello riportato sulla targhetta dell'apparecchio.

ATTENZIONE. **Un errato voltaggio dell'alimentazione elettrica annullerà automaticamente il vostro diritto alla garanzia.**

8. Compilare la cartolina di garanzia posta all'interno del Manuale d'Uso, segnando sia il modello che il numero di serie dell'apparecchio rilevandolo dalla targhetta fissata al telaio. Spedire la cartolina debitamente compilata al costruttore.

C. POSIZIONAMENTO E LIVELLAMENTO

ATTENZIONE. **Questo fabbricatore di ghiaccio è stato progettato per essere installato all'interno di locali in cui la temperatura ambiente non scenda mai al di sotto di 10°C né superi i 40°C. Periodi prolungati di funzionamento a temperature al di fuori dei seguenti limiti costituiscono cattivo uso secondo i termini di garanzia e fanno decadere automaticamente il vostro diritto alla garanzia.**

1. Posizionare l'apparecchio nel luogo di installazione definitivo.

I criteri per la sua scelta sono:

a) Minima temperatura ambiente 10°C e massima temperatura ambiente 40°C.

b) Temperature dell'acqua di alimentazione: minima 5°C massima 35°C.

c) Luogo ben aerato per assicurare un efficace ventilazione all'apparecchio e quindi un corretto funzionamento del condensatore.

d) Spazio adeguato per i collegamenti di servizio previsti nella parte posteriore dell'apparecchio. Lasciare almeno 15 cm di spazio attorno all'unità così da permettere una corretta ed efficace circolazione d'aria soprattutto nei modelli raffreddati ad aria.

2. Livellare l'apparecchio in entrambe le direzioni, dall'anteriore alla posteriore e da sinistra a destra mediante i piedini.

NOTA. Questo fabbricatore di ghiaccio incorpora dei componenti delicati e di massima precisione pertanto bisogna evitarli urti e scossoni violenti.

D. COLLEGAMENTI ELETTRICI

Osservare la targhetta dell'apparecchio così da determinare, in funzione dell'ampereaggio indicato, tipo e sezione del cavo elettrico da usarsi.

Tutti gli apparecchi sono muniti di un cavo di alimentazione elettrica per cui si richiede un collegamento dello stesso ad una linea elettrica provvista di **cavo di messa a terra** e che faccia capo ad un proprio interruttore magneto-termico munito di fusibili adeguati, come indicato nella targhetta di ogni singolo apparecchio.

La variazione massima di voltaggio consentita non deve eccedere il 10% del valore di targa o essere inferiore al 10% dello stesso. Un basso voltaggio può causare un funzionamento anomalo e può essere la causa di seri danni alle protezioni ed agli avvolgimenti elettrici.

NOTA. Tutti i collegamenti esterni devono essere fatti a regola d'arte in conformità con quanto stabilito dalle norme locali da parte di personale qualificato.

Prima di collegare il fabbricatore di ghiaccio alla linea elettrica accertarsi ancora una volta che il voltaggio dell'apparecchio, specificato sulla targhetta, corrisponda al voltaggio misurato.

E. ALIMENTAZIONE IDRAULICA E SCARICO

Premessa

Nella scelta dell'alimentazione idraulica al fabbricatore di ghiaccio a cubetti si deve tenere presente:

- a) Lunghezza della tubazione
- b) Limpidezza e purezza dell'acqua
- c) Adeguata pressione dell'acqua di alimentazione

Una bassa pressione dell'acqua di alimentazione, inferiore ad 1 bar, può causare dei disturbi di funzionamento dell'apparecchio. L'uso di acque contenenti una quantità eccessiva di minerali darà luogo ad una produzione di cubetti di ghiaccio opachi e ad una notevole incrostazione delle parti interne del circuito idraulico.

Alimentazione idraulica

Collegare il raccordo da 3/4 di pollice maschio della valvola solenoide di ingresso acqua alla linea di alimentazione idrica utilizzando il tubo in plastica rinforzato del tipo **alimentare atossico** fornito.

La linea di alimentazione idraulica deve essere munita di un rubinetto di intercettazione posto in un luogo accessibile nei pressi dell'apparecchio.

Alimentazione idraulica - Modelli raffreddati ad acqua

Nei modelli raffreddati ad acqua la valvola di ingresso acqua è dotata di due raccordi di uscita uno collegato al condensatore, il secondo per la produzione del ghiaccio.

Scarico acqua

Usare, come tubo di scarico, il tubo in plastica rigida spiralato avente diametro interno di 18 mm. fornito in dotazione

Lo scarico dell'acqua in eccesso avviene per gravità; per avere un regolare deflusso è indispensabile che lo scarico disponga di una presa d'aria e vada in un sifone aperto.

Scarico acqua - Modelli raffreddati ad acqua

Lo scarico dal condensatore, nei modelli raffreddati ad acqua, è raccordato internamente allo scarico dell'apparecchio.

Prestare particolare attenzione a raccordare correttamente lo scarico dell'apparecchio al sifone aperto del locale in quanto l'acqua scaricata dal condensatore, qualora lo scarico non fosse correttamente realizzato (pendenza inadeguata, strozzature, ecc.) potrebbe ritornare all'interno del contenitore del ghiaccio.

NOTA. Tutti i collegamenti idraulici devono essere eseguiti a regola d'arte in conformità con le norme locali. In alcuni casi è richiesto l'intervento di un idraulico patentato.

F. CONTROLLO FINALE

1. L'apparecchio è stato installato in un locale dove la temperatura ambiente è di almeno 10°C anche durante i mesi invernali?
2. Ci sono almeno 15 cm di spazio dietro ed ai lati dell'apparecchio onde avere una efficace ventilazione del condensatore?
3. L'apparecchio è ben livellato? (IMPORTANTE)
4. L'apparecchio è stato collegato alla linea di alimentazione elettrica? È stato eseguito il collegamento alle tubazioni dell'acqua di alimentazione e di scarico?
5. È stato controllato il voltaggio della linea di alimentazione elettrica? Corrisponde al voltaggio specificato sulla targhetta dell'apparecchio?
6. È stata controllata la pressione dell'acqua di alimentazione in modo da assicurare all'apparecchio una pressione di ingresso di almeno 1 bar?
7. Controllare tutte le tubazioni del circuito

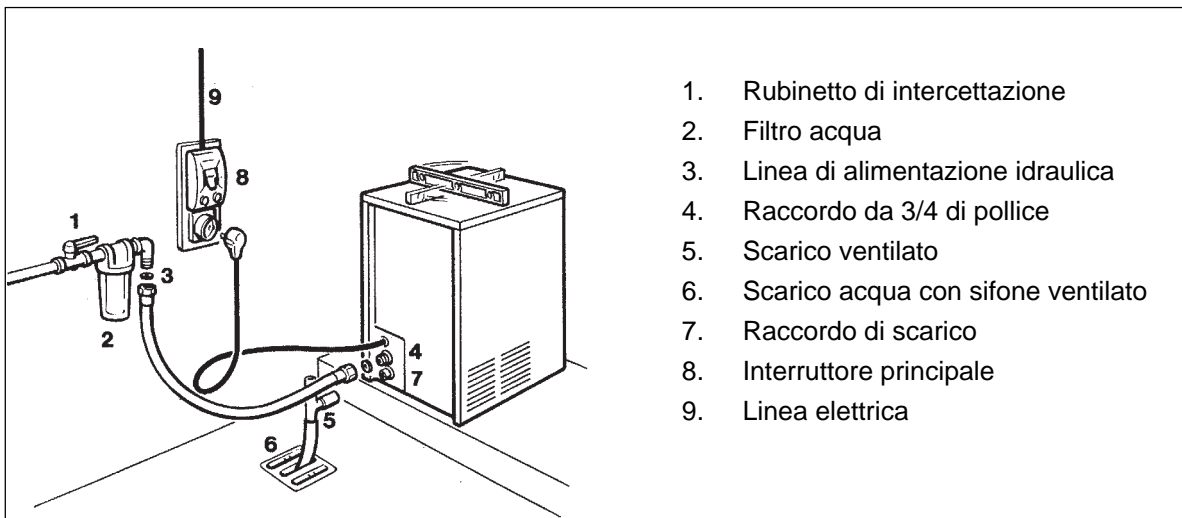
refrigerante e del circuito idraulico verificando se esistono vibrazioni o sfregamenti. Controllare inoltre che le fascette stringitubo siano ben serrate e che i cavetti elettrici siano fermamente collegati.

8. Sono stati controllati i bulloni di ancoraggio del compressore? Permettono a questi di oscillare sui propri supporti?
9. Le pareti interne del contenitore del ghiaccio e le pareti esterne dell'apparecchio sono state pulite?
10. È stato consegnato il libretto di istruzione e sono state date al proprietario le istruzioni necessarie per il funzionamento e la manutenzione periodica dell'apparecchio?
11. La cartolina di garanzia è stata compilata?

Controllare il numero di serie ed il modello sulla targhetta dell'apparecchio, quindi spedirla al costruttore.

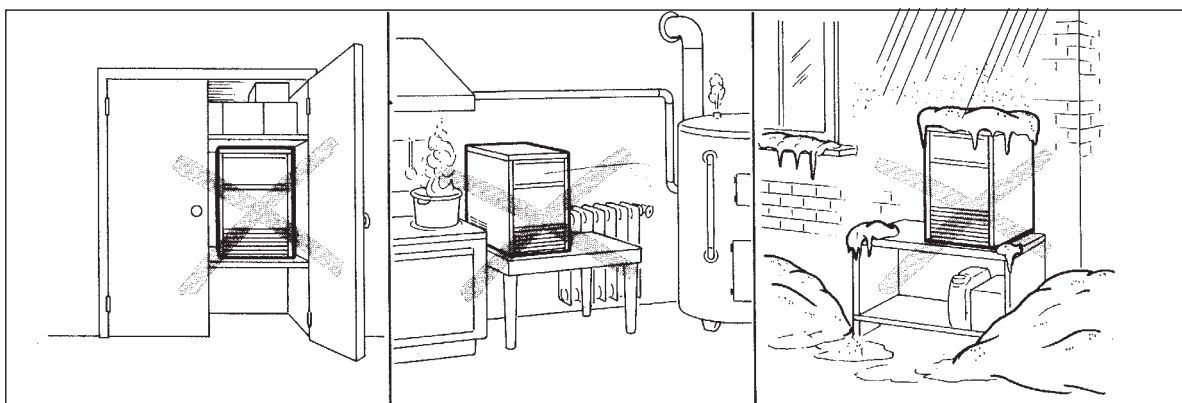
12. È stato dato al proprietario il nome ed il numero telefonico del servizio di assistenza tecnica autorizzato della zona?

G. SCHEMA DI INSTALLAZIONE



1. Rubinetto di intercettazione
2. Filtro acqua
3. Linea di alimentazione idraulica
4. Raccordo da 3/4 di pollice
5. Scarico ventilato
6. Scarico acqua con sifone ventilato
7. Raccordo di scarico
8. Interruttore principale
9. Linea elettrica

ATTENZIONE. Questo fabbricante di ghiaccio non è stato progettato per essere installato all'aperto o per funzionare a delle temperature ambiente inferiori a 10°C o superiori a 40°C. Lo stesso vale per la temperatura dell'acqua di alimentazione che non deve essere inferiore a 5°C o superiore a 35°C.



ISTRUZIONI DI FUNZIONAMENTO

AVVIAMENTO

Dopo aver correttamente installato l'apparecchio ed averlo collegato alla rete elettrica ed idraulica, seguire la seguente procedura per l'avviamento.

21-31-40

1. Togliere dal fabbricatore di ghiaccio il pannello frontale e localizzare l'interruttore di lavaggio.
2. Spostare l'interruttore di lavaggio sulla posizione "Lava - II". Questo chiude il circuito elettrico della valvola di ingresso dell'acqua e della valvola gas caldo.
3. Spostare, a questo punto, l'interruttore posto sulla linea di alimentazione elettrica sulla posizione ON (acceso). L'apparecchio partirà nella fase di caricamento acqua con i seguenti componenti in funzione:

VALVOLA INGRESSO ACQUA

VALVOLA GAS CALDO

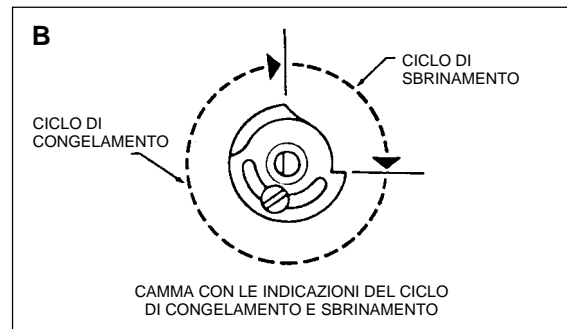
Sono in funzione anche la Pompa ed il Motoventilatore.

4. Lasciare funzionare la macchina nella fase di caricamento acqua per circa tre - quattro minuti fino ad avere dell'acqua allo scarico dell'apparecchio. Quindi spostare l'interruttore di lavaggio sulla posizione "Funziona - I".

50-65-90

1. Togliere dal fabbricatore di ghiaccio il pannello frontale e localizzare la scatola elettrica.
2. Controllare che l'interruttore principale e l'interruttore del compressore posti nella scatola elettrica siano sulla posizione OFF (spento).
3. Ruotare il gambo del timer (fig. B) che sporge dalla scatola elettrica, in senso orario finchè si udirà un click; ciò indicherà che il microinterruttore del timer è scattato nella parte bassa della camma, parte che corrisponde al ciclo di sbrinamento.
4. Mettere in funzione l'apparecchio all'interruttore principale (posizione ON). L'interruttore del compressore deve rimanere sulla posizione OFF.
5. Ripetere quanto descritto al punto 3.
6. Dopo il completamento del secondo ciclo di sbrinamento (circa tre minuti) mettere in funzio-

ne il compressore tramite il relativo interruttore (posizione ON).



NOTA. Durante la fase di sbrinamento l'acqua entra nell'apparecchio, attraverso la valvola solenoide di ingresso dell'acqua, eccitata durante questa parte del ciclo, e attraverso l'apposita tubazione è indirizzata sulla parte superiore dell'evaporatore. Dopo aver coperto l'intera superficie di plastica dell'evaporatore, l'acqua viene scaricata, attraverso tre fori di drenaggio, nella vaschetta di raccolta, riempiendola.

CONTROLLI DURANTE FUNZIONAMENTO

A. L'apparecchio inizia così il suo primo ciclo di congelamento con i seguenti componenti in funzione:

COMPRESSORE

POMPA

MOTOVENTILATORE per i modelli raffreddati ad aria.

B. Osservare attraverso l'apertura di scarico dei cubetti che la piastra spruzzante sia correttamente posizionata e che l'acqua venga uniformemente spruzzata all'interno dei bicchierini rovesciati dell'evaporatore.

Verificare che la tendina di plastica sia posizionata correttamente impedendo la fuoriuscita dell'acqua attraverso le proprie lamelle.

C. Il processo di fabbricazione del ghiaccio ha così inizio con l'acqua che viene continuamente spruzzata all'interno dei bicchierini rovesciati e con la temperatura dell'evaporatore che gradualmente si abbassa.

D. Nei modelli 21-31-40 quando la temperatura dell'evaporatore raggiunge un valore predeterminato il termostato evaporatore commuta i suoi contatti dando luogo alla fine del ciclo di congelamento ed all'inizio del ciclo di scongelamento.

E. Nei modelli 50-65-90 all'inizio del ciclo di congelamento il termostato evaporatore è la "mente" che regola la durata della prima fase del ciclo di congelamento. Come si raggiunge la sua temperatura di intervento, questi inverte i suoi contatti chiudendo il circuito al motorino del timer attraverso i contatti normalmente aperti del microinterruttore.

Il ciclo di congelamento prosegue per altri 12 minuti finché il microinterruttore raggiunge la parte bassa della camma.

A questo punto il microinterruttore del timer inverte i suoi contatti diseccitando così la bobina dei relé di comando per i tre minuti corrispondenti al ciclo di sbrinamento o di caduta dei cubetti.

Con la bobina del relé di comando diseccitata i tre contatti del medesimo assumono la posizione opposta chiudendo il circuito del motorino del timer per i tre minuti corrispondenti ed il circuito della bobina della valvola di ingresso acqua e della valvola del gas caldo. La camma del timer continua a girare fino ad azionare il pulsante del microinterruttore facendo così iniziare un nuovo ciclo di congelamento.

Il microinterruttore del timer ha un contatto normalmente aperto ed un contatto normalmente chiuso che rappresentano rispettivamente la fase di congelamento e la fase di sbrinamento.

L'azione della camme apre i contatti normalmente aperti e chiude i contatti normalmente chiusi; il motore del timer continua ad operare attraverso i contatti del relé di comando e i contatti normalmente chiusi del microinterruttore.

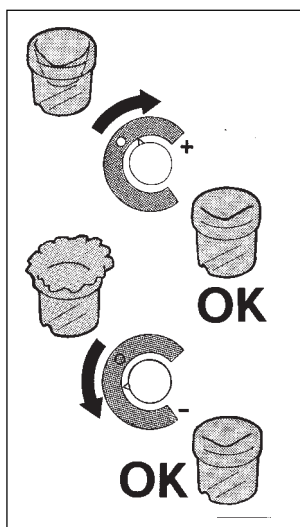
F Verificare che durante la fase di scongelamento l'acqua di alimentazione vada a reintegrare quella precedentemente usata per la produzione dei cubetti e che quella eccedente trabocchi nel tubo di troppo pieno e fluisca nella tubazione di scarico dell'apparecchio.

G. Osservare i cubetti di ghiaccio prodotti. Questi devono essere della giusta dimensione con una cavità nella parte della corona di circa 4-5 mm. Nel caso contrario, attendere il secondo ciclo di produzione del ghiaccio, prima di effettuare qualsiasi regolazione.

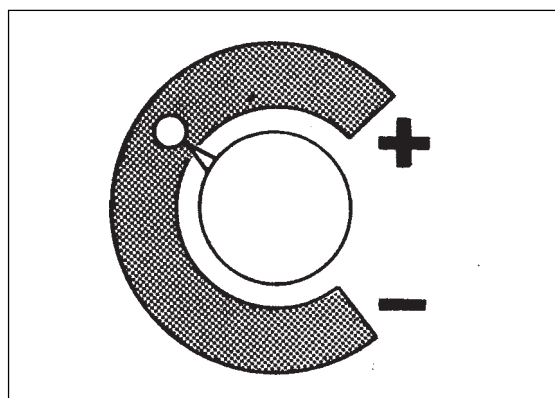
H. Se necessario, nei modelli 21, 31 e 40 la durata del ciclo di congelamento può essere modificata ruotando la manopola del termostato evaporatore posta nella scatola elettrica fino al raggiungimento della dimensione ottimale.

- Se la temperatura del locale in cui è posto l'apparecchio è inferiore a 20°C, i cubetti prodotti possono avere un incavo pronunciato al loro intervento (Vedi figura a lato).

- Se invece la temperatura ambiente sarà superiore a 30°C i cubetti prodotti tenderanno ad avere delle frastagliature di ghiaccio attorno alla corona.



Chi lo ritenesse necessario, può migliorare le sopra illustrate situazioni di cubetti ruotando nel primo caso in senso orario il volantino di comando e, nel secondo caso, in senso antiorario. Occorre però tener presente che, qualora la temperatura ambiente rientrasse entro i 20 ÷ 30°C, l'indicatore del volantino andrà riportato in corrispondenza del punto di riferimento (Vedi illustrazione sotto).



Controllare l'aspetto dei cubetti di ghiaccio prodotti: cubetti aventi delle corrette dimensioni esterne ma particolarmente opachi, indicano che il fabbricatore di ghiaccio ha avuto una mancanza d'acqua durante la fase finale del ciclo di congelamento o che, l'acqua usata per la produzione del ghiaccio è di pessima qualità e quindi si rende necessario l'uso di filtri adeguati o di un condizionatore d'acqua.

I. Durante il ciclo di sbrinamento, coprire con una manciata di cubetti il bulbo sensibile del termostato contenitore e verificare lo spegnimento dell'apparecchio dopo circa due o tre minuti. Togliere la manciata di cubetti dal bulbo sensibile e controllare che l'apparecchio si rimetta in moto in circa tre o quattro minuti.

NOTA. Il termostato contenitore è tarato per spegnere la macchina a +1°C e riaccenderla a +4°C.

K. Rimontare i pannelli precedentemente rimossi quindi istruire il proprietario sul funzionamento del fabbricatore di ghiaccio così come sulle operazioni di pulizia ed igienizzazione del medesimo.

PRINCIPIO DI FUNZIONAMENTO

Nei fabbricatori di ghiaccio l'acqua usata per la produzione del ghiaccio è tenuta costantemente in movimento da una pompa elettrica che attraverso un sistema spruzzante dirige l'acqua a pressione moderata all'interno dei bicchierini rovesciati dell'evaporatore.

Qui una parte dell'acqua spruzzata ghiaccia all'istante; il rimanente di essa ricade nel sottostante serbatoio di recupero per essere ricircolata.

CICLO DI CONGELAMENTO

Il refrigerante allo stato gassoso ed ad alta temperatura viene pompato dal compressore e, passando poi attraverso il condensatore, si trasforma in refrigerante allo stato liquido.

La linea del liquido permette al refrigerante di fluire dal condensatore al tubo capillare attraverso il filtro deumidificatore. Durante il passaggio attraverso il tubo capillare il refrigerante allo stato liquido perde gradualmente parte della sua pressione e conseguentemente parte della sua temperatura. Successivamente raggiunge ed entra nella serpentina dell'evaporatore.

L'acqua spruzzata nei bicchierini rovesciati dell'evaporatore cede calore al refrigerante circolante all'interno della serpentina, causandone l'evaporazione, ed il conseguente cambiamento del suo stato fisico, cioè da liquido diviene vapore. Il refrigerante allo stato vaporoso dopo essere passato attraverso l'accumulatore viene aspirato nuovamente nel compressore tramite la linea di aspirazione.

Nei modelli 21-31-40 il ciclo di congelamento è regolato solo da un controllo della temperatura (termostato evaporatore) che determina la durata del ciclo e di conseguenza la dimensione dei cubetti; nei modelli 50-65-90 esiste una seconda fase del ciclo di congelamento controllato da un timer.

I componenti in funzione durante il ciclo di congelamento sono:

IL COMPRESSORE

LA POMPA

IL VENTILATORE (nei modelli raffreddati ad aria)

Nei modelli 21-31-40 raffreddati ad aria la pressione di mandata del sistema refrigerante (alta pressione) cala progressivamente da un valore di circa **11 bar** (con temperatura ambiente di 21°C), che si riscontra all'inizio del ciclo di congelamento, fino ad un valore minimo di **7 bar** proprio alla fine del ciclo di congelamento.

Nei modelli 50-65-90 la pressione di mandata è controllata da un pressostato ventilatore tra **10-8.5 bar**. Questi valori sono influenzati dalla temperatura dell'ambiente in cui è installato l'apparecchio e aumentano proporzionalmente con l'aumentare di quest'ultima.

Nei modelli 21-31-40-50 raffreddati ad acqua le pressioni di mandata del sistema refrigerante sono mantenute tra due valori prestabiliti (**8.5 - 10 bar**) tramite l'azione di un pressostato automatico che comanda elettricamente una valvola solenoide di ingresso acqua posta sulla linea di alimentazione al condensatore.

Nei modelli 65-90 raffreddati ad acqua la pressione di mandata è mantenuta a **9.5 bar** tramite l'ausilio di una valvola pressostatica.

Con apparecchi installati in condizioni normali (21°C ambiente) la pressione di aspirazione o bassa pressione scende rapidamente a **1 bar** all'inizio del ciclo di congelamento, cioè quando il cubetto di ghiaccio inizia a formarsi, declinando lentamente a circa a **0÷0.1 bar** allorché il cubetto di ghiaccio è completamente formato.

CICLO DI SCONGELAMENTO O SBRINAMENTO

Nei modelli 21-31-40 al momento in cui il termostato evaporatore sente la temperatura corrispondente ai cubetti di ghiaccio di dimensione piena, i contatti dello stesso cambiano posizione attivando il ciclo di sbrinamento.

Nei modelli 50-65-90 come il microinterruttore cade nella parte bassa della camme del timer avrà inizio il ciclo di sbrinamento.

I componenti in funzione sono:

COMPRESSORE

VALVOLA DI INGRESSO ACQUA

VALVOLA DEL GAS CALDO

L'acqua in immissione passa attraverso la valvola solenoide di ingresso ed il controllo di flusso che è posto all'interno della medesima, arriva sulla parte superiore dell'evaporatore da dove cola, attraverso i fori di drenaggio, nel sottostante serbatoio di pescaggio della pompa. Il livello massimo dell'acqua nel serbatoio è limitato da un tubo di troppo pieno che ha la funzione di indirizzare verso lo scarico l'acqua in eccesso.

Il refrigerante allo stato gassoso, pompato dal compressore, viene ora dirottato dalla valvola del gas caldo aperta direttamente alla serpentina dell'evaporatore, seguendo il percorso più diretto cioè, non passando attraverso il condensatore. Il gas caldo circolante all'interno della serpentina dell'evaporatore, fa aumentare la temperatura dei bicchierini causando quindi lo stacco dai medesimi dei cubetti di ghiaccio.

I cubetti che si staccano cadono sopra un piano inclinato da dove scivolano attraverso l'apertura con tendina a lamelle, per cadere all'interno del contenitore del ghiaccio.

Grazie al fluire del gas caldo nella serpentina dell'evaporatore, la temperatura dello stesso sale e conseguentemente sale anche la temperatura del bulbo sensibile del termostato evaporatore il quale cambia i suoi contatti e, di conseguenza nei modelli 21-31-40 disattiverà la bobina della valvola gas caldo e della valvola di ingresso acqua ed attiverà la pompa di circolazione dell'acqua e il ventilatore iniziando così un nuovo ciclo di congelamento.

Nei modelli 50-65-90 tali contatti attiveranno il timer utile al completamento del ciclo di sbrinamento (parte bassa della camma) dopodiché avrà inizio un nuovo ciclo di congelamento (parte alta della camma).

NOTA. Nei modelli 21, 31 e 40 la durata della fase di sbrinamento (non regolabile) varia in funzione della temperatura ambiente (più lunga per ambienti freddi, più corta per ambienti caldi).

DESCRIZIONE DEI COMPONENTI

A. POMPA

La pompa opera in continuazione soltanto durante il ciclo di congelamento dirigendo l'acqua verso la piastra spruzzante.

Dalla piastra spruzzante l'acqua, attraverso sei spruzzatori, viene diretta all'interno dei bicchierini rovesciati subendo, in questa fase, una certa aerazione permettendo così di ottenere un cubetto di ghiaccio solido e cristallino.

B. VALVOLA SOLENOIDE DI INGRESSO DELL'ACQUA - RACCORDO DA 3/4 GAS MASCHIO

La valvola solenoide di ingresso dell'acqua posta nella parte posteriore dell'apparecchio, è eccitata solamente durante il ciclo di sbrinamento.

Quando è eccitata permette, ad una limitata quantità d'acqua, di fluire verso la parte superiore della piastra evaporatore assistendo così il gas caldo durante la fase di distacco dei cubetti. Quest'acqua viene quindi scaricata dalla piastra dell'evaporatore, attraverso i fori di scarico, nel serbatoio di raccolta sottostante da dove viene aspirata dalla pompa e diretta alla piastra spruzzante.

Nei modelli 21, 31, 40 e 50 raffreddati ad acqua la valvola solenoide di ingresso acqua è caratterizzata da un'entrata e due uscite separate, dotata di due solenoidi alimentate, la prima (produzione ghiaccio) dai contatti 3-2 dal termostato evaporatore e la seconda (condensazione) da un pressostato.

C. VALVOLA SOLENOIDE DEL GAS CALDO

La valvola solenoide del gas caldo è composta essenzialmente da due parti, rispettivamente il corpo e la bobina.

Durante il ciclo di sbrinamento la bobina, collocata sulla parte superiore della valvola gas caldo è attivata attraendo pertanto il pistoncino posto all'interno del corpo valvola.

Questo apre il passaggio al gas caldo pompato dal compressore, consentendogli di fluire direttamente nella serpentina dell'evaporatore distaccando così i cubetti di ghiaccio dai bicchierini.

D. TERMOSTATO CONTENITORE

Il tubo sensibile del termostato contenitore (tubo capillare) è inserito nel tubo portabulbo fissato sulla parete della cabina di deposito del ghiaccio ed ha il compito di interrompere il funzionamento dell'apparecchio quando il tubo sensibile è coperto dal ghiaccio e di farlo ripartire non appena il ghiaccio sia stato rimosso. Il termostato contenitore è tarato direttamente in fabbrica per fermare l'apparecchio a 1°C e riattaccarlo a 4°C.

E. TERMOSTATO EVAPORATORE (CONTROLLO DELLA DIMENSIONE DEI CUBETTI)

Nei modelli 21, 31 e 40 il termostato evaporatore posto nella parte frontale della scatola elettrica, è essenzialmente un controllo della temperatura che chiude i suoi contatti 3-2 quando la tempera-

tura scende (ciclo di congelamento) e li apre chiudendo i contatti 3-4 quando la temperatura sale (ciclo di sbrinamento).

Questo controllo determina la durata del ciclo di congelamento e di conseguenza la dimensione dei cubetti di ghiaccio. Una bassa regolazione produrrà cubetti di ghiaccio troppo pieni mentre al contrario un'alta regolazione produrrà cubetti di ghiaccio incompleti (troppo vuoti). Nei modelli 21-31-40 i contatti del termostato evaporatore sulla seconda posizione (contatti 3-2) chiudono il circuito elettrico ai componenti del ciclo di sbrinamento controllandone la sua durata.

Il termostato evaporatore è regolato in fabbrica (manopola su puntino nero) e non richiede aggiustamenti quando la temperatura ambiente rimane tra 20 e 30°C.

Nei modelli 50-65-90 quando i contatti del termostato sono chiusi, viene messo in funzione il timer che completa il ciclo di congelamento passando successivamente al ciclo di sbrinamento.

F. VENTILATORE (RAFFR. AD ARIA)

Nei modelli 21-31-40 il ventilatore, collegato al circuito elettrico attraverso i contatti 3-4 del termostato evaporatore, opera soltanto durante il ciclo di congelamento, facendo circolare l'aria attraverso il condensatore e mantenendo così, entro valori prestabiliti l'alta pressione.

Nelle versioni a raffreddamento ad aria 50-60-95 il funzionamento è controllato costantemente dal pressostato

G. COMPRESSORE ERMETICO

Il compressore ermetico ha il compito di far circolare il refrigerante attraverso l'intero sistema.

Esso aspira il refrigerante sotto forma di vapore a bassa pressione e temperatura, lo comprime, facendone aumentare di conseguenza sia la pressione che la temperatura, e lo trasforma in vapore ad alta pressione e temperatura che lascia il compressore attraverso la valvola di scarico.

H. SCIVOLO E PIASTRA SPRUZZANTE

L'acqua, forzata dalla pompa all'interno della piastra spruzzante, fuoriesce attraverso sei spruzzatori i quali hanno il compito di imprimere un movimento rotatorio al getto d'acqua e di dirigerlo verso i bicchierini raffreddati dell'evaporatore.

I. TERMOSTATO DI SICUREZZA

Posto nella parte inferiore della scatola elettrica è del tipo a reinserimento manuale ed arresta il funzionamento dell'apparecchio quando il suo bulbo (ancorato alla linea dal liquido poco prima del filtro deumidificatore) raggiunge la temperatura di 70°C.

J. INTERRUPTORE DI LAVAGGIO (21-31-40)

Interruttore manuale, posto nella scatola elettrica eccita la bobina della valvola del gas caldo e della valvola di ingresso dell'acqua per il caricamento manuale dell'acqua e per risciacquare il circuito idraulico dell'apparecchio durante le operazioni di pulizia.

K. PRESSOSTATO (21-31-40-50)

Usato nei modelli raffreddati ad acqua ha il compito di mantenere la pressione di mandata tra 8-5 e 10 bar alimentando elettricamente la bobina della valvola di ingresso acqua che controlla il flusso di acqua al condensatore.

**L. VALVOLA PRESSOSTATICA
(solo 65-90 modelli raffr. ad acqua)**

La valvola pressostatica mantiene ad un valore costante l'alta pressione nel circuito refrigerante variando il flusso di acqua di raffreddamento del condensatore.

Come la pressione sale la valvola pressostatica si apre ulteriormente per accrescere il flusso d'acqua di raffreddamento al condensatore.

M. TIMER (solo 50-65-90)

Dopo la messa in funzione da parte del termostato evaporatore, il timer completa la parte finale del ciclo di congelamento. Il timer compie un giro completo in 15 minuti di cui 12 minuti sono la parte finale del ciclo di congelamento e i rimanenti 3 minuti comprendono il ciclo di sbrinamento. Tutti i componenti elettrici sono collegati sulla morsettiera del timer e, attivati da un microinterruttore in fase di congelamento o di sbrinamento attraverso i contatti del relé di comando. Questo microinterruttore è comandato da una camma in plastica direttamente collegata

al motorino del timer. La camma consiste di due dischetti in plastica che possono essere regolati nel caso si desiderasse diminuire o aumentare il ciclo di sbrinamento.

**N. PRESSOSTATO DI COMANDO
VENTILATORE
(50-65-90 modelli raffreddati ad aria)**

E' un pressostato di pressione a funzionamento automatico. Elettricamente collegato al ventilatore del condensatore ha la funzione di attaccare o staccare il ventilatore mantenendo, entro un certo livello la pressione di condensazione.

O. TELERUTTORE (solo 65-90)

Il teleruttore è comandato dalla scheda elettronica per chiudere ed aprire il circuito elettrico al compressore.

P. INTERRUTTORE PRINCIPALE (50-65-90)

Interruttore manuale, posto nella parte laterale destra della scatola elettrica, spegne l'intero apparecchio.

**Q. INTERRUTTORE DEL COMPRESSORE
(50-65-90)**

Posto nella parte laterale destra della scatola elettrica proprio di fianco all'interruttore principale, arresta solo il funzionamento del compressore.

ISTRUZIONI PER LA PULIZIA DEL CIRCUITO IDRAULICO

1. Togliere il pannello frontale e superiore per accedere sia alla scatola elettrica che all'evaporatore.
2. Attendere la fine del ciclo di sbrinamento quindi arrestare l'apparecchio all'interruttore generale esterno nei modelli 21, 31 e 40 o all'interruttore generale della macchina nei modelli 50-65-90.
3. Prelevare tutto il ghiaccio stivato nel contenitore in modo che questi non venga contaminato con la soluzione disincrostante.
4. Nei modelli 21 e 31 togliere il tappo in plastica posto sotto il serbatoio dell'acqua in modo da scaricare l'acqua contenuta assieme ai depositi calcarei.
5. Togliere la tendina quindi, usando una bottiglia, versare dell'acqua sul fondo del serbatoio in modo da rimuovere eventuali scaglie di calcare.
6. Installare di nuovo la tendina così come il tappo in plastica.
7. In tutti gli altri modelli, sollevare il tubo di troppo pieno per scaricare l'acqua dal serbatoio.
8. In un secchio pulito preparare la soluzione disincrostante diluendo in 1-2 litri di acqua potabile calda (45-50°C) 0,2 litri di disincrostante (20-30-40) e 0,2-0,3 litri (50-60-95).

ATTENZIONE. I disincrostanti per produttori di ghiaccio contengono una soluzione di acido fosforico e idrossiacetico. Questa soluzione è corrosiva e, se ingerita, può causare disturbi intestinali. Non provocare il vomito. In questo caso bisogna bere una abbondante quantità di acqua o di latte e chiamare subito il medico. Nel caso di contatto esterno è sufficiente lavare la parte con acqua. TENERLO LONTANO DALLA PORTATA DEI BAMBINI.

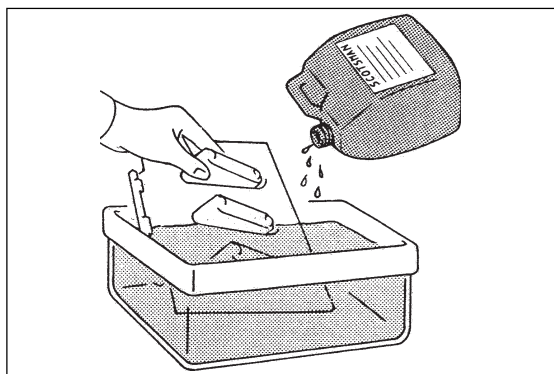
9. Rimuovere il coperchio dell'evaporatore e versare lentamente la soluzione disincrostante tra le formine di rame. Impiegare un pennello per sciogliere le incrostazioni presenti negli angoli più remoti.

21-31-40

- a) Nei modelli 21-31-40 avviare nuovamente la macchina all'interruttore esterno. Lasciare l'apparecchio in funzione per circa 20 minuti quindi posizionare l'interruttore di "lavaggio" sulla posizione "lava - II" per scongelare i cubetti dall'evaporatore.

NOTA. La quantità di disincrostante così come il tempo necessario per la disincrostazione dipendono dalle condizioni del circuito idraulico (incrostazioni).

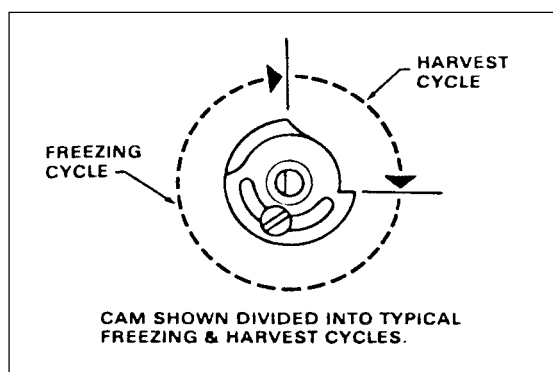
- b) Spegnerne l'apparecchio ruotando il termostato evaporatore in senso antiorario, scaricare la soluzione disincrostante dal serbatoio quindi versare nella parte superiore dell'evaporatore 2 o 3 litri di acqua potabile per risciacquare sia i bicchieri che la piastra in plastica.
- c) Se necessario rimuovere la piastra spruzzante per essere pulita separatamente.



- d) Ruotare di nuovo la manopola del termostato evaporatore sulla posizione di funzionamento normale. La pompa è di nuovo in funzionamento per ricircolare l'acqua così da risciacquare l'intero circuito idraulico.

50-65-90

- a) Nei modelli 50-65-90 ruotare la camme del Timer con l'aiuto di un cacciavite fino a che il microinterruttore sia posizionato all'inizio della parte alta della camme.



Accendere l'apparecchio all'interruttore principale. Lasciare l'interruttore del compressore sulla posizione OFF (spento).

- b) Lasciare funzionare l'apparecchio per circa 20 minuti. Non verrà prodotto del ghiaccio in quanto il compressore è mantenuto spento.
- c) Arrestare il funzionamento dell'apparecchio agendo sull'interruttore principale, quindi estrarre dal serbatoio acqua il tubo di troppo pieno e lasciar defluire il liquido rimasto attraverso la tubazione di scarico.

d) Risciacquare il serbatoio e rimettere il troppo pieno.

10. Versare sulla parte superiore dell'evaporatore una caraffa d'acqua contenente della sostanza battericida, quindi rimettere in funzione l'apparecchio allo scopo di igienizzare tutto il circuito idraulico per circa 10 minuti.

ATTENZIONE. Non miscelare la sostanza battericida con il disincrostante al fine di evitare la generazione di acidi molto aggressivi.

11. Arrestare la macchina e scaricare la soluzione disinfettante dal serbatoio quindi, con l'ausilio dell'interruttore di lavaggio sulla posizione "lava", nei modelli 21, 31 e 40 ruotare il termostato evaporatore nella posizione di funzionamento normale mentre nei modelli 50-65-90 ruotare lentamente il gambo del timer in senso orario finché il microinterruttore sia nella posizione di inizio del ciclo di sbrinamento.

12. Porre l'interruttore principale sulla posizione ON (acceso).

13. Lasciare che l'apparecchio compia un ciclo di sbrinamento completo quindi ruotare di nuovo il gambo del timer onde avere un secondo ciclo di sbrinamento.

14. Quando dallo scarico si nota la fuoriuscita dell'acqua posizionare l'interruttore di lavaggio

su "funziona" (21-31-40) e accendere il compressore ponendo l'interruttore specifico su ON (50-65-90) al fine di rimettere l'apparecchio nelle condizioni di funzionamento normale.

15. L'apparecchio è ora pronto per il funzionamento automatico e continuo.

16. Rimontare il coperchio dell'evaporatore ed i pannelli precedentemente rimossi.

17. Controllare che i cubetti di ghiaccio prodotti dopo il primo ciclo di congelamento siano trasparenti e che non abbiano sapore acidulo.

ATTENZIONE. Non utilizzare i cubetti opachi-bianchi e di sapore acidulo prodotti dopo il procedimento di pulizia del sistema idraulico con il disincrostante. Per ogni evenienza è bene versare dell'acqua tiepida all'interno del contenitore così da sciogliere i cubetti di ghiaccio appena prodotti.

18. Sciacquare ed asciugare le pareti interne del contenitore del ghiaccio.

NOTA. Ricordarsi che per evitare l'accumulo di batteri indesiderati è necessario pulire ed igienizzare le pareti interne del contenitore ogni settimana con una soluzione di acqua mista ad una sostanza battericida.

INFORMATIONS GÉNÉRALES ET INSTALLATION

A. INTRODUCTION

Dans ce manuel vous trouverez les indications nécessaires et la marche à suivre pour réaliser: l'installation, le démarrage, le fonctionnement, l'entretien et le nettoyage des machines à glace. Ces machines ont été étudiées, conçues, construites et vérifiées avec le maximum de soin pour satisfaire la clientèle la plus exigeante.

NOTA. *Pour préserver les caractéristiques de qualité et de sécurité des fabriques de glace, il est fondamental d'effectuer les opérations d'installation et de maintenance strictement selon les instructions indiquées dans ce manuel de service.*

B. DÉBALLAGE ET VÉRIFICATION

1. Examiner l'extérieur du carton d'emballage et s'assurer qu'il n'y a pas d'avarie imputable au transport. Celle-ci pouvant entraîner un dommage caché sur la machine, exiger un examen intérieur en présence du transporteur.
2.
 - a) Couper et enlever les sangles en plastique maintenant le cartonnage sur son socle.
 - b) Ouvrir le dessus du carton et enlever la plaque et les plots d'angle de polystyrène de protection.
 - c) Enlever entièrement la boîte en carton.
3. Démontez les panneaux de la machine et s'assurer qu'il n'y a pas de dégâts à l'intérieur. Faire une déclaration auprès du transporteur dans le cas d'un dommage caché, comme indiqué au paragraphe 2 ci-dessus.
4. Ouvrir la porte cabine et enlever tous les supports intérieurs d'emballage et les rubans adhésifs de protection.



5. S'assurer que les tuyauteries frigorifiques ne frottent, ni ne touchent, ni entre elles ni à d'autres surfaces et que l'hélice du ventilateur du condenseur tourne librement.

6. Nettoyer les parois intérieures de la cabine de stockage et les parois extérieures du meuble.

7. S'assurer que la tension d'alimentation correspond bien aux indications mentionnées sur la plaque signalétique fixée à l'arrière sur le châssis.

ATTENTION. Tout incident occasionné par l'utilisation d'une mauvaise tension d'alimentation annulera vos droits à la GARANTIE.

8. Retirer du Mode d'Emploi la fiche de garantie et la remplir avec soin en y indiquant le type et le numéro de série relevés sur la plaque signalétique. Envoyer un exemplaire à l'Usine.

C. LOGEMENT ET MISE DE NIVEAU

ATTENTION. Cette machine n'est pas faite pour fonctionner à l'extérieur lorsque les températures de l'air ambiant sont en dessous de +10°C ou au dessus de +40°C. Le fonctionnement prolongé hors de ces limites est considéré annule les clauses du contrat de garantie.

1. Mettre en place la machine dans l'emplacement qui lui est réservé. Pour le choix de l'emplacement tenir compte:
 - a) température ambiante du local compris entre +10°C et +40°C.
 - b) température de l'eau d'alimentation compris entre +5°C et +35°C.
 - c) endroit bien ventilé pour assurer un refroidissement correct du condenseur.
 - d) espace suffisant pour accéder aux branchements à l'arrière. Un espace libre de 15 cm minimum est nécessaire autour de l'unité pour le passage de l'air frais sur le condenseur des groupes à air et son évacuation.

NOTA. *Dans le cas d'une machine encastrée et, en fonction de l'augmentation de la température de l'ambiance au-delà de +30°C, la production indiquées sur le diagramme sont à diminuer progressivement jusqu'à 10% maximum.*

La capacité de production est directement liée à la température d'arrivée de l'air sur le condenseur, à la température de l'eau et à l'ancienneté de la machine.

*Pour conserver à votre **machine à glace en cubes** sa capacité maximum de production, il est nécessaire de procéder périodiquement à son entretien comme reporté au chapitre correspondant.*

2. Mettre de niveau la machine en utilisant les pieds réglables.

D. BRANCHEMENTS ÉLECTRIQUES

Déterminer en fonction des indications mentionnées sur la plaque signalétique (puissance, intensité) la dimension du câble nécessaire pour l'alimentation électrique de la machine.

Tous les machines sont expédiées complètement cablées avec leur cordon d'alimentation électrique. S'assurer que la machine à bien sa ligne d'alimentation qui est branchée à un interrupteur bipolaire murale pourvu des fusibles et d'un **conducteur de terre**.

Voir la plaque signalétique pour déterminer le calibre du fusible.

Tout le câblage extérieur devra être conforme aux normes électriques en vigueur.

Vérifier la conformité du voltage de la ligne d'alimentation avec la plaque d'immatriculation avant de brancher la machine.

La tension admissible maximum ne doit pas dépasser 10% de la valeur indiquée sur la plaque, même lors du démarrage. Le sous-voltage admissible ne doit pas dépasser 10%.

Un sous-voltage peut occasionner un mauvais fonctionnement et détériorer les contacts et les enroulements de moteur.

Avant de brancher la machine vérifiez encore une fois la tension disponible contre les indications de la plaque signalétique.

NOTA. *Les branchements électriques doivent être fait par un professionnel dans le respect des normes locales.*

E. BRANCHEMENTS D'ARRIVÉE ET D'ÉVACUATION D'EAU

Généralités

Pour le choix du mode d'alimentation d'eau sur la machine à glaçons il faudra tenir compte:

- a) de la distance entre le réseau et la machine
- b) de la clarté et de la pureté de l'eau
- c) de sa pression.

La glace est obtenue à partir de l'eau. Les points ci-dessus sont donc importantes pour le bon fonctionnement de la machine.

L'eau contenant, en quantité, des sels minéraux aura tendance à produire des cubes d'autant plus opaques qu'elle contiendra plus de sels.

Une pression trop basse, inférieure à 1 bar, peut être une cause de mauvaise fabrication de la glace.

Une eau trop fortement chlorée peut être améliorée en utilisant des filtres au charbon de bois ou au charbon actif.

Alimentation d'eau

Raccorder avec le tuyau flexible en plastique alimentaire fourni avec la machine, l'alimentation d'eau générale au raccord 3/4" GAS mâle situé sur la vanne électromagnétique d'arrivée d'eau. Installer, à un endroit accessible, entre l'arrivée et la machine une vanne d'arrêt.

L'eau est très dure ou avec des impuretés en excès il sera préférable monter sur l'arrivée d'eau de la machine un filtre efficace, positionné avec sa flèche dans le sens de circulation de l'eau.

Les modèles refroidi par eau sont équipées d'une vanne d'arrivée eau avec une entrée et deux sorties; une est branchée au condenseur, la deuxième est utilisée par la production des glaçons.

Évacuation d'eau

Le tube d'évacuation recommandé est un tube en plastique rigide de 18 mm diamètre int. conduisant à un siphon de sol ouvert avec une pente de 3 cm par mètre.

Pour faciliter l'écoulement d'eau dans le tube d'évacuation il est nécessaire de mettre une prise d'air verticale au niveau du raccordement d'évacuation.

Évacuation d'eau - Modèles refroidis par eau

L'évacuation du condenseur, sur les machines à eau, est raccordé au écoulement commun, à l'intérieur de la machine.

Pour ce-là il faut bien prévoir l'installation d'une prise d'air verticale sur le point plus haut de la tuyauterie d'évacuation en manière d'avoir un bon écoulement d'eau et il faut aussi s'assurer que l'eau s'écoule bien dans un siphon de sol ouverte.

Cela afin d'éviter, qu'en cas de mauvaise vidange, que l'eau d'évacuation du condenseur puisse dégorger dans la cabine de stockage.

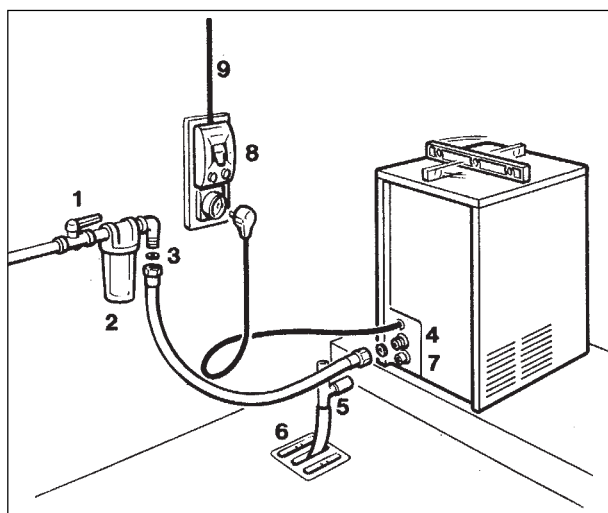
NOTA. *L'alimentation et l'évacuation d'eau doivent être installées par un professionnel dans le respect des normes locales.*

F. LISTE DE CONTRÔLE FINAL

1. Est-ce que la machine a été placée dans une pièce où la température ambiante ne descend jamais au dessous de +10°C durant les mois d'hiver?
2. Y-a t-il au moins 15 cm d'espace libre à l'arrière et autour de la machine pour une bonne aération?
3. La machine a-t-elle été mise de niveau?
4. Tous les raccordements électriques et d'eau y compris la vanne d'arrêt ont-ils été effectués?
5. La tension électrique d'alimentation correspond t-elle bien aux indications de la plaque signalétique?
6. S'est-on assuré que la pression minimum de l'eau fournie ne sera jamais inférieure à 1 bar?

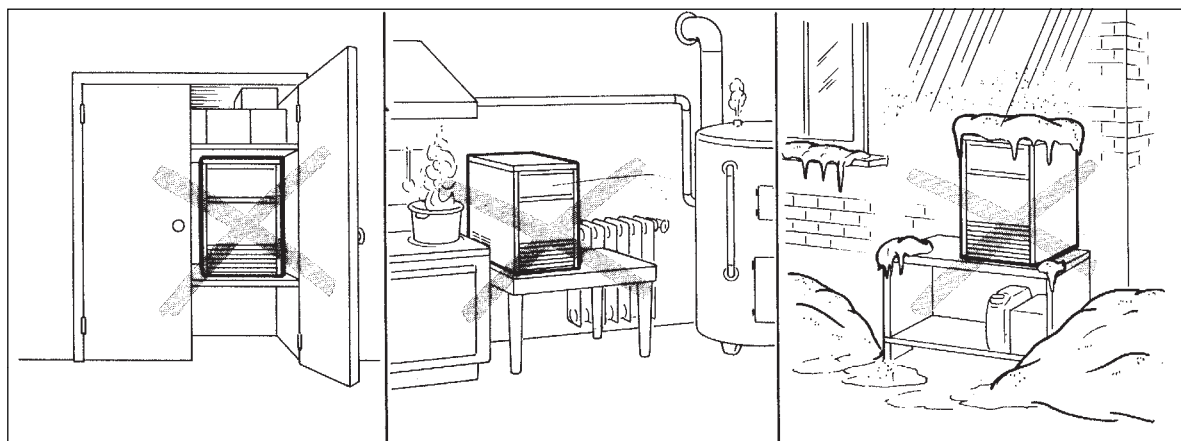
7. Avez-vous vérifié que toutes les tuyauteries frigorifiques et autres sont à l'abri des vibrations, de l'usure et d'un éventuel défaut?
8. Les boulons de blocage du compresseur ont-ils été retirés? S'assurer que le compresseur est bien calé sur ses silenblocs.
9. La cabine et l'extérieur de la machine à t'elle été essuyés proprement?
10. Avez-vous bien remis le manuel contenant les instructions d'utilisation au client? Avez-vous attiré son attention sur l'importance de l'entretien périodique de la machine?
11. Avez-vous rempli correctement la fiche de garantie? Avez-vous bien vérifié le type et le numéro de série sur la plaque avant de l'envoyer?
12. Avez-vous donné le nom du client et son numéro de téléphone au représentant local de son secteur?

G. INSTALLATION PRATIQUE



1. Vanne d'arrêt
2. Filtre d'eau
3. Alimentation d'eau
4. Raccord de 3/4 mâle
5. Évacuation avec prise d'air
6. Évacuation d'eau à siphon
7. Raccord d'évacuation
8. Interrupteur général
9. Ligne d'alimentation électrique

ATTENTION. Cette machine à glace n'est pas prévue pour fonctionner à l'extérieur. L'utiliser pour des températures ambiante comprises entre +10°C et +40°C et d'eau comprises entre +5°C et +40°C.



INSTRUCTIONS DE FONCTIONNEMENT

DÉMARRAGE

Après avoir installé correctement la machine de glace et avoir complété le branchements hydrauliques et électriques, effectuez les opérations de démarrage ci-dessous:

21-31-40

1. Enlevez le panneau frontal et localisez le boîtier de contrôle.
2. Positionnez l'interrupteur de nettoyage sur la position "NETTOYAGE" (II) pour alimenter les bobines de la vanne d'arrive d'eau et de gaz chauds.
3. Mettez l'interrupteur principale en position **ON** (Marche) pour mettre la machine sous tension. Pendant cette phase les composants en fonctionnement sont.

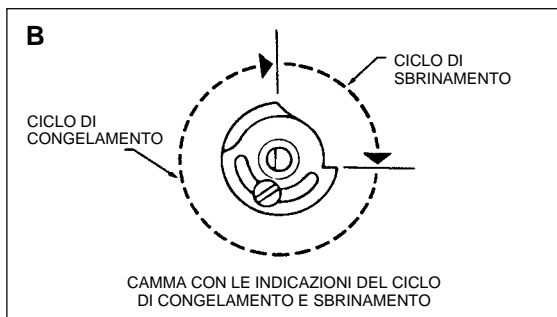
LA VANNE D'ARRIVÉE D'EAU LA VANNE DE GAZ CHAUDS.

La **pompe a eau** et le **motoventilateur** sont aussi en fonctionnement.

4. Laissez la machine dans la phase de remplissage d'eau par trois/quatre minutes jusqu'à ce que l'eau arrive en correspondance au trop plain (eau écoule par la vidange) puis repositionner l'interrupteur de nettoyage sur la position FONCTIONNEMENT (I).

50-65-90

1. Enlever le panneau frontal et localiser la boîtier de contrôle.
2. Avec les interrupteurs du compresseur et principal a l'arrêt (OFF) tourner la tige du timer (fig. B) dans le sens de la monte, jusqu'à le "click"; cet indiquera que le microinterrupteur du timer est tombé dans la partie basse de la came qu'il correspond a la phase du degivrage.
3. Mettre en marche la machine avec l'interrupteur general (ON). L'interrupteur du compresseur doit resté sur OFF.
4. Tourner de nouveau la tige du timer jusqu'à le "click" une deuxième fois.
5. Après le deuxième cycle de degivrage appuyer sur l'interrupteur du compresseur pour mettre en marche le compresseur.



NOTA. Pendant la phase de remplissage d'eau ainsi que pendant le cycle de demoulage la vanne d'arrive d'eau est alimenté electriquement. L'eau arrive sur la platine évaporateur et s'écoule par les trous bien dans le réservoir d'eau pour être utilisé dans le prochain cycle de congelation.

VÉRIFICATIONS DE FONCTIONNEMENT

A. La machine commence sa premier cycle de congelation avec le démarrage des éléments suivants:

COMPRESSEUR

POMPE A EAU

MOTOVENTILATEUR pour les machines refroidis par air.

B. Vérifiez, à travers l'ouverture de passage des glaçons, que le système d'arrosage d'eau est bien positionné et que l'eau vient à bien être aspergé à l'intérieur des godets de l'évaporateur. Vérifier aussi que les lamelles en plastique du rideau sont bien libre de basculer et qu'il n'y a pas d'eau qui passe au travers d'elles.

C. Le processus de fabrication de glace commence lorsque l'eau est aspergé à l'intérieur des godets.

Ceux-ci viennent à être graduellement réfrigérés par l'évaporation du réfrigérant qui circule dans le serpent d'évaporateur.

D. Dans les modèles 21-31-40 pendant le cycle de congelation la temperature de l'évaporateur et ainsi que celle du bulbe du thermostat évaporateur se baisse. Quand il arrive a un valeur predeterminé les contacts du thermostat évaporateur changes de position pour faire demarré le cycle de degivrage. La durée d'un cycle de congelation s'échelonne entre 20 et 22 minutes, dans une ambiance de +21°C. Elle est plus longue ou plus courte selon que la température ambiante est plus élevée ou plus basse.

La longueur total du cycle varie entre 23-25 minutes.

E. Dans les modèles 50-65-90 lorsque le bulbe du thermostat évaporateur, logé sur la serpentine de l'évaporateur, atteint la température d'enclanchement démarre le moteur du temporisateur actionnant ainsi la came qui avec les microinterrupteurs contrôle la 2ème phase du cycle de congélation jusqu'à la fin.

Pendant cette phase les composants en fonctionnement sont:

COMPRESSEUR

BOBINE DU CONTACTEUR (65-90)

POMPE A EAU

VENTILATEUR (pour les machines refroidis par air)

MOTEUR DU TEMPORISATEUR

Après un temps de 18÷20 min. de congélation, dans une ambiance avec une température hypotétique de 21°C a lieu le cycle de dégivrage avec l'activation simultanée des vannes de gaz chauds et arrivée d'eau.

Les composants électriques en fonctionnement sont:

COMPRESSEUR

BOBINE DU CONTACTEUR (65-90)

VANNE D'ARRIVÉE D'EAU

VANNE DE GAZ CHAUDS

MOTEUR DU TEMPORISATEUR

F. Contrôlez, pendant le cycle de démoulage, que l'eau qui arrive coule bien sur la platine évaporateur, pour tomber dans le réservoir, de manière de rétablir le niveau d'eau jusqu'au bord du trop plein et que le surplus d'eau s'écoule bien à la vidange.

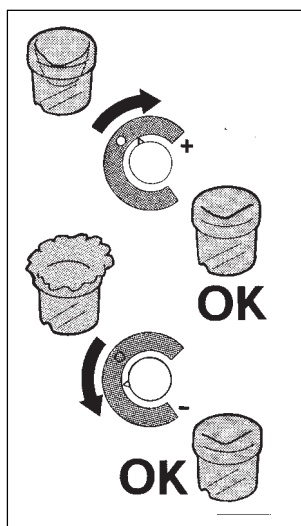
G. Contrôlez l'apparence et la forme des glaçons qui viennent de tomber dans la cabine. Les glaçons corrects doivent avoir un creux de 5-6 mm dans leur embase.

Lorsqu'ils ne sont pas conformes, attendre la fin du second cycle avant de faire un réglage éventuel.

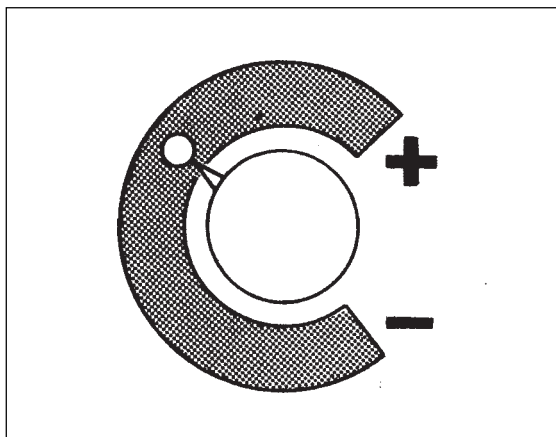
H. Si nécessaire, dans les modèles 21, 31 et 40 on peut varier la longueur de ce cycle avec le bouton du thermostat évaporateur (sens des aiguilles d'une montre), jusqu'à obtention de la dimension correcte.

- Si la température ambiante dans laquelle se trouve l'appareil est inférieure à 20°C, les cubes peuvent présenter un creux intérieur (voir croquis).

- Si par contre la température ambiante est supérieure à 30°C, les cubes auront tendance à avoir des dentelures de glace autour de leur base.



Il est possible de remédier aux inconvénients illustrés ci-dessus en tournant, dans le premier cas, le bouton légèrement dans le sens de la montre et dans le second cas, ou contraire.



Si les glaçons se présentent opaques et avec un creux trop profond dans leur centre, cela peut provenir d'une manque partielle d'eau qui s'est vérifiée pendant la phase finale du cycle de congélation ou, il peut bien provenir d'une mauvaise qualité de l'eau.

Pour ce dernier cas, il sera nécessaire d'avoir un filtre ou un équipement de traitement d'eau.

I. La machine étant en cours de démoulage, tenir de la glace contre le bulbe du thermostat de contrôle de cabine pour tester l'arrêt, la machine devrait s'ARRÊTER à la fin du cycle de démoulage.

NOTA. Dans les minutes qui suivent le retrait de la glace sur le bulbe du thermostat, le bulbe se réchauffera et la machine se remettra en marche. Cette fonction est réglée en usine et ne doit pas être modifiée avant d'avoir procédé à des essais complets. Le réglage normal est d'environ 1,5°C pour la coupure, et 4°C pour le réenclenchement.

K. Remontez les panneaux enlevés avant et expliquez avec soin au client/utilisateur les spécifications importantes de la machine, la mise en route et l'entretien, en parcourant toutes les procédures du MODE D'EMPLOI.

PRINCIPE DE FONCTIONNEMENT

Dans les machines à glaçons SCOTSMAN l'eau pour la fabrication de la glace est continuellement en mouvement. Une pompe électrique de circulation la pulvérise sous une pression adéquate à travers les jets, dans les godets inversés de l'évaporateur.

Une partie de cette eau se cristallise au contact des godets réfrigérés. La glace obtenue en forme de cloche sur les parois remplit petit à petit les godets donnant les glaçons finals.

CYCLE DE CONGÉLATION

Le gaz réfrigérant est refoulé par le compresseur dans le condenseur, où il est refroidi et condensé en liquide par l'air ou par l'eau de refroidissement. Le réfrigérant liquide traverse le filtre déshydrateur et passe en suite par le tube capillaire où, l'échange de chaleur lui fait perdre un peu de sa pression et de sa température.

Le réfrigérant liquide pénètre dans le serpentin évaporateur (qui est un tube de diamètre supérieur à celui du capillaire) où il se détend et commence à s'évaporer partiellement.

Ce changement d'état est aussi provoqué par l'eau aspergée dans les godets qui fournit la chaleur nécessaire pour l'évaporation complète du réfrigérant.

Le réfrigérant en vapeur passe en suite au travers de l'accumulateur et retourne au compresseur - via tuyauterie d'aspiration où il échange de la chaleur avec le capillaire - pour être refoulé de nouveau.

Dans les modèles 21, 31 et 40 le cycle de congélation est contrôlé par le thermostat évaporateur qui a son bulbe logé dans un tuyau en plastique en contact avec le serpentin évaporateur; dans les modèles 50, 65 et 90, après la phase contrôlée par le thermostat évaporateur, il y a une phase contrôlée par le timer.

Les composants électriques en fonctionnement pendant le cycle de congélation sont:

COMPRESSEUR

POMPE A EAU

VENTILATEUR (Pour les machines refroidis par air).

Sur les machines 21, 31 et 40 à air, pendant le cycle de congélation, la haute pression du réfrigérant régresse graduellement d'une valeur de **11 bars**, généralement marquée au début du cycle quand la machine se trouve dans une ambiance de 21°C, à une valeur de **7 bars**, marqués à la fin du cycle, à savoir, juste quelques seconds avant le démoulage. Les valeurs indiquées sont aussi liées à la température ambiante, donc elles sont sujets à augmenter si la température de l'ambiance s'élève.

Sur les mêmes machines refroidi à eau et aussi dans le modèle 50, la haute pression de réfrigérant a une plage de variation qui va de **8,5 à 10 bars** étant contrôlée par un pressostat H.P. qui commande, par une électrovanne d'arrivée d'eau logée sur le tube d'entrée d'eau du condenseur, le flux d'eau de refroidissement.

Pour les modèles 50, 60 et 90 refroidis par air pendant le cycle de congélation, la haute pression du réfrigérant varie entre 8-10 bar par l'action de contrôle d'un pressostat automatique.

Quand la pression du réfrigérant dans le condenseur monte au dessus d'une certaine limite, le pressostat ferme ses contacts ainsi de mettre en fonctionnement le **Moto-ventilateur**. Quand se vérifie la situation contraire, c'est à dire, la pression du réfrigérant dans le condenseur descend au dessous d'une valeur limite, le pressostat ouvre ses contacts et coupe, par conséquent, le fonctionnement du motoventilateur.

Sur modèles 65 et 90 refroidis par eau la pression du réfrigérant refoulé est maintenue constante à 9 bar par le contrôle de la vanne pressostatique fait sur le flux d'eau de refroidissement du condenseur.

NOTA. Dans les cas où la température (ou pression correspondant) du condenseur monte à une valeur supérieure à 70/75°C à cause d'une manque partielle ou totale d'eau de refroidissement, ou du condenseur bloqué par la saleté pour les versions refroidis par air, **un dispositif de sécurité par activation manuel arrête le fonctionnement de la machine.**

Après avoir examiné la raison de l'arrêt et avoir remédié la situation, **il faut the presser le bouton de rearmement en passant par les trous sur le panneau avant ou remuer le même.**

Pour les machines installée dans des ambiances de 21°C la basse pression, au départ du cycle, régresse rapidement à une valeur de **1,0 ÷ 0,9 bars** pour baisser plus lentement, ayant un rapport inversement proportionnel à l'augmentation d'épaisseur des glaçons, jusqu'à ce qu'elle atteigne une valeur de **0 ÷ 0,1 bar** à la fin du cycle correspondant aux cubes de glace bien formés. La longueur total du cycle de congélation varie entre 20-22 minutes.

CYCLE DE DÉMOULAGE

Dans les modèles 21, 31 et 40 lorsque la température correspondante à la dimension requise pour les cubes de glace est atteinte dans l'évaporateur, le thermostat change ses contacts pour alimenter le cycle de démoulage.

Dans les modèles 50, 65 et 90 lorsque le temporisateur a complété la deuxième partie du cycle de congélation de la machine, a lieu la phase de démoulage.

Les composants électriques en fonctionnement pendant ce cycle sont:

COMPRESSEUR

BOBINE DU CONTACTEUR (65 et 90)

VENTILATEUR (refroidis par air)

VANNE D'ARRIVÉE D'EAU

VANNE GAZ CHAUDS

TEMPORISATEUR (50, 65 et 90)

L'eau qui arrive dans la machine, en passant par la vanne d'arrivée et par le limiteur de débit, s'écoule sur la platine évaporateur, dont l'eau travers les trous d'écoulement et tombe dans le réservoir.

Cette eau se mélange avec celle qui est restée du cycle précédent, pour faire monter le niveau jusqu'au bord du trop plein.

L'excès d'eau du réservoir s'évacue par le trop plein de la vidange, de ce fait limite la concentration des sels minéraux dans le réservoir. Entre temps les gaz chauds déchargé par le compresseur sont dévié, par la vanne de gaz chauds ouverte, directement dans le serpent in évaporateur.

Le gaz chauds qui circule dans le serpentine évaporateur chauffe suffisamment les godets pour faire décoller de leur intérieur les glaçons formés. Les glaçons libérés tombent sur le plan de chute et ils sont canalisés, au travers de l'ouverture de sortie glace, dans la cabine de stockage.

NOTA. Dans les modèles 21, 31 et 40 la durée du cycle de dégivrage (non réglable) est reliée a la temperature ambiante (plus courte avec temperature ambiante chaud et plus long avec ambiante froid).

Dans les autres la durée du cycle de dégivrage est déterminée par l'ampleur de l'encoche sur le profil de la came du temporisateur; cette ampleur est réglée en usine. Si ont veuille varier la durée du cycle de dégivrage il faut tourner la vis de réglage de la came pour augmenter ou réduire son encoche.

ATTENTION. La phase de démoulage est la plus critique pour les composants électriques du système réfrigérant, en particulier pour le compresseur. Pour éviter d'abuser de ces composants et réduire les possibilites de les faire tomber en panne, il ne faut pas supérer le 4 minutes de durée de ce cycle.

Dans les modèles 21, 31 et 40 le thermostat, du fait de la remontée de la température dans l'évaporateur, coupe le contact alimentant les vannes électromagnétiques "gaz chauds" et eau et remet en service la pompe et le ventilateur du condenseur. L'ensemble est reparti pour un nouveau cycle de congélation.

Dans les modèles 50, 65 et 90 la même chose est fait par le temporisateur (partie haute de la came).

DESCRIPTION DES COMPOSANTS

A. Pompe a eau

La pompe à eau fonctionne en permanence pendant la phase de congélation et réfole l'eau en direction du système d'arrosage pour l'asperger à l'intérieur des godets/moules, ce faisant, l'eau vient à être aérée, chose qui permet la formation de glaçons transparents et solides.

B. Électrovanne d'admission d'eau

L'électrovanne d'admission d'eau est activé pendant la phase de démoulage.

Quand elle est activée une quantité d'eau suffisante circule entre les godets de la platine évaporateur, aidant ainsi le gaz chauds à démouler les glaçons.

L'eau s'écoule à travers les trous de la platine pour tomber dans le réservoir, situé sous l'évaporateur, d'où elle est recyclée par la pompe à eau en direction du système d'arrosage.

Une électrovanne d'arrivée d'eau spécial est utilisée sur les machines refroidis par eau avec une entre et deux sorties pour alimenter d'eau le condenseur et le réservoir (cuve). Cette deuxième sortie de l'électrovanne est commandé par un pressostat H.P. et elle fait arriver au condenseur un débit d'eau adéquate pour maintenir la valeur de pression de condensation entre la plage voulue.

C. Électrovanne de gaz chaud

L'électrovanne de gaz chauds comprend deux parties: le corps avec son noyau plongeur et la bobine. Elle est montée sur la ligne de refoulement du compresseur et est alimentée pendant le cycle de démoulage.

Pendant le démoulage, la bobine, placée au dessus du corps de la vanne, est excitée attirant ainsi le noyau plongeur à l'intérieur du corps de la vanne pour dévier le gaz chauds, provenant du compresseur, directement dans le serpentine évaporateur pour démouler les glaçons formés.

D. Thermostat de cabine

Le corps du thermostat est placé dans la boîte électrique. Son bulbe est fixé sur un côté à l'intérieur de la cabine de stockage. Il arrête automatiquement la machine quand la cabine est pleine de glace et la remet en service quand il en manque. Il est réglé à l'usine pour couper à + 1°C et enclencher à + 4°C.

Vérifier, avant remplacement, son bon fonctionnement en plaçant de la glace sur le bulbe avant de le monter sur la machine.

Un déclic audible indiquera la coupure.

E. Thermostat controlant la dimension des cubes ou thermostat d'évaporateur

21-31-40

Le thermostat est logé dans la boîte électrique, à l'intérieur de la machine. Son fonctionnement est lié à la température de l'évaporateur par intermédiaire de son bulbe placé sur un de ses tubes.

Cet appareil fixe la durée du cycle de congélation et, parallèlement, la dimension des cubes.

Une coupure plus basse produira un plus gros cube, alors qu'une coupure plus haute donnera un cube plus petit.

En tournant dans le sens des aiguilles d'une montre, la coupure se fait sur + froid, inversement sur - froid avec en butée, une position "STOP". Réglé en usine sur la position "Bouton noire", il est recommandé d'agir progressivement et peu à la fois à chaque réglage.

Si le premier contact est lié à la température, le second est inverseur. Il commande et contrôle les composants du cycle de démoulage.

50-65-90

Ce thermostat a son bulbe lié à la fin du serpentin évaporateur pour en y relever la température du réfrigérant (déclinant pendant le cours du cycle) et en relation à ca, il change ses contacts de 3-4 à 3-2 (sensibilité réglable par la vis de réglage) pour activer le moteur du tempérisateur qui vade son côté à compléter le cycle de congélation (2ème phase temporisée).

Cette phase, comme spécifié dans le chapitre précédent, à une durée pré-fixée en rapport à l'ampleur de l'extérieur de la came du tempérisateur.

F. Motoventilateur (Versions refroidis par air)

Le fonctionnement du motoventilateur pour les modèles 50, 65 et 90 est commandé su travers le pressostat HP pendant le cycle de congélation pour aspirer l'air de refroidissement à travers les ailettes du condenseur.

Pendant la 2ème phase du cycle de congélation il arrive à fonctionner par intermittance parceque la pression de condensation est maintenu entre les valeurs de 8.5÷10 bar.

Dans les autres modèles 21, 31 et 40 il est en fonctionnement continu pendant le cycle de congelation.

G. Compresseur

Le compresseur, du type hermétique, est le coeur du circuit réfrigérant, il véhicule et récupère le réfrigérant à travers l'ensemble du système. Il comprime le réfrigérant vapeur, à basse pression, augmentant ainsi sa température et le transforme en gaz chauds à haute pression qui vient déchargé par le clapet de refoulement.

H. Plate-forme d'arrosage et plan de chute des cubes

Le système d'arrosage utilisé sur cette unité est du modèle fixe. Aspirée dans réserve, d'eau est refoulée par la pompe, à travers un jeu de six buses de pulvérisation, dans les godets inversés de l'évaporateur.

I. Thermostat de sécurité

Se dispositif fonctionne à titre de précaution, pour ARRÊTER l'alimentation électrique de la machine dans le cas un arrêt du ventilateur ou un

manque d'eau se produirait au niveau du condenseur. Arrête la machine quand la température du condenseur monte à 70°C.

**J. Interrupteur de nettoyage.
"Cleaning Cycle" (21-31-40)**

Interrupteur manuel "Cleaning-Opérations" logé sur la boîte électrique, alimentant les vannes électromagnétiques d'eau et de "gaz chauds" pour assurer le dégivrage manuel et le rinçage du circuit d'eau lors des opérations de nettoyage.

**K. Pressostat H.P.
(21, 31, 40 et 50 refroidi par eau)**

Utilisée seulement sur les machines refroidies par eau le pressostat H.P. contrôle le fonctionnement de la vanne d'alimentation d'eau au condenseur pour limiter les variations de la pression de la condensation (8,5÷10 bars) selon la température de l'eau.

**L. Vanne de régulation d'eau
(Modèles refroidis par eau 65 et 90)**

Cette vanne maintient la haute pression constante en contrôlant le débit d'eau circulant dans le condenseur à eau.

Comme la haute pression monte, la vanne de régulation s'ouvre un peu plus pour augmenter le débit d'eau dans le condenseur.

M. Contacteur (Seulement sur 65 et 90)

Placé à l'intérieur de la boîte électrique le relais a la fonction d'alimenter ou non le compresseur, en fonction à la position de l'interrupteur général.

N. Temporisateur (50, 65 et 90)

Le temporisateur est logé dans la boîte de contrôle.

Ce temporisateur a deux microinterrupteurs activés par la came dont l'extérieur correspond à la 2ème phase du cycle de congélation et le creux au démoulage.

La came est composée de deux disques qui peuvent être juxtaposés, en conséquence, pour augmenter ou diminuer la répartition en durée de chaque phase.

ATTENTION. Pour éviter d'endommager irréparablement le compresseur il ne faut pas exagérer avec la durée du cycle de dégivrage et la limiter à un temps de 4 minutes maximum.

Il faut tenir compte que à chaque variation du réglage de la came du temporisateur il est nécessaire faire un réglage compensatif à niveau thermostat évaporateur c'est à dire que si on veut augmenter la phase de démoulage à niveau came, il faut faire correspondre à cette variation une augmentation du cycle de congélation en tournant la vis de réglage du thermostat évaporateur dans le sens des aiguilles d'une montre et viceversa dans la situation contraire.

O. Interrupteur du compresseur (65 et 90)

Logé sur la partie frontale de la boîte de contrôle, cet interrupteur du compresseur positionnable sur les deux suivantes situations:

Fonctionnement (I). Active directement l'alimentation électrique du compresseur, ou, comme dans les modèles 65 et 90, le contacteur.

Arrêt (0). Arrête le fonctionnement du compresseur tandis que la pompe continue à fonctionner.

P. Pressostat HP (50, 65 et 90 a air)

Utilisée soit sur les modèles refroidis par air, ce pressostat limite les variations de la pression de condensation (entre 8.5÷10 bars) avec l'arrêt et la mise en route du ventilateur.

Q. Interrupteur principale

Logé sur le devant de la boîte électrique, il sert à couper ou à remettre en fonctionnement la machine.

INSTRUCTIONS DE NETTOYAGE DU CIRCUIT D'EAU

1. Enlevez les panneaux de devant et supérieur de manière à avoir accès à la boîte de contrôle et à l'évaporateur.
2. Attendez que la machine complète le cycle en cours et termine aussi le démoulage puis, arrêtez momentanément la machine à l'interrupteur extérieure, dans les modèles 21, 31 et 40 ou à l'interrupteur du compresseur, dans les 50, 65 et 90.
3. Enlevez toute la glace déposée dans la cabine de stockage pour éviter qu'elle soit contaminée par la solution de nettoyage.
4. Dans les modèles 21 et 31 démontez le capuchon en plastique placé au dessous du réservoir eau pour vidanger l'eau contenu ainsi que les dépôts de calcaire.
5. Démontez le rideau puis, avec une bouteille, versez de l'eau sur le fond du réservoir pour faire tomber les écailles de calcaire.
6. Installez de nouveau the capuchon plastique ainsi que le rideau.
7. Dans tous les autres modèles, enlevez le tube de trop plein pour vider le reservoir.
8. Préparez la solution de nettoyage suivante: mélangez environ 100-200 gr de **Ice Machine Cleaner** dans 2 lt. environ d'eau chaude (45 - 50°C) contenue dans un bac en plastique.

AVERTISSEMENT. Le produit de nettoyage Ice Machine Cleaner contient de l'acide phosphorique et de l'acide hydroxyacétique. Ces constituants sont corrosif et peuvent provoquer des brûlures en cas d'absorption. NE PAS PROVOQUER DE VOMISSEMENT. Administrer de grandes quantité d'eau ou de lait. Appeler immédiatement le médecin. En cas de contact externe, rincer abondamment avec de l'eau. GARDER HORS DE PORTEE DES ENFANTS.

9. Enlevez le couvercle d'évaporateur puis verser lentement sur l'évaporateur la solution préparée avant. A l'aide d'un pinceau nettoyez les points cachés où les dépôts calcaires sont les plus résistants.

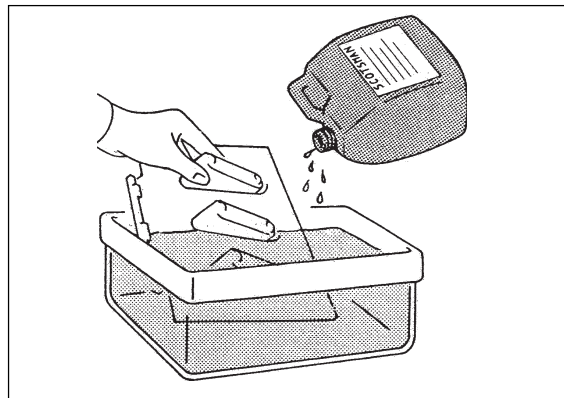
21-31-40

- a) Dans les modèles 21, 31 et 40, mettez en marche la machine a l'interrupteur extérieur. Laissez la machine à glace fonctionner pendant environ 20 minutes puis placer le bouton interrupteur de nettoyage sur la position "Lava - II"

durant 3 minutes et faire le demoulage des glaçons.

NOTE. La quantité de CLEANER à employer et le temps nécessaire pour le nettoyage du circuit sont liés aux caractéristiques de l'eau utilisée (dureté et propreté).

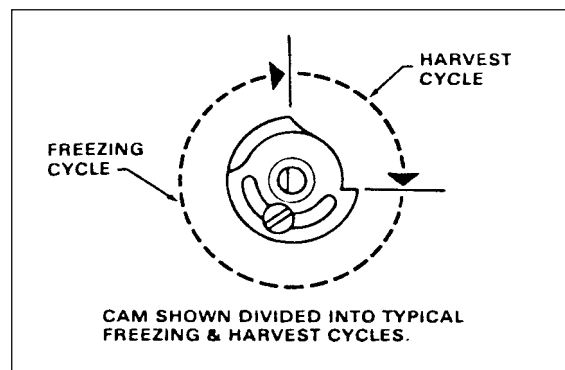
- b) Au bout de ce temps, arrêtez la machine tournant le bouton contrôlant la dimension des cubes dans le sens contraire de la montre. Effectuez les opérations pour évacuer totalement la solution détartrante puis versez de l'eau dans le réservoir pour effectuer un bon rinçage et repositionner le tube du trop plein.
- c) Si nécessaire enlevez la plate-forme d'arrosage pour la nettoyer soigneusement à la main.



- d) Tourner le bouton contrôlant la dimension des cubes sur la position de fonctionnement normal.
- e) Faisez-le deux fois pour s'assurer de un bon rinçage et que il n'y pas des traces du produit detartrante.

50-65-90

- a) Dans les modèles 50,65 et 90, tournez la tige du temporisateur dans le sens de la montre avec un tournevis jusqu'à le microinterrupteur soit positionné au debut de la partie haute de la came.



Demarez la machine avec l'interrupteur principal sur "I-ON". Laissez l'interrupteur du compresseur sur "0-OFF".

b) Laissez la machine à glace fonctionner dans cette position pendant environ 20-25 minutes puis arrêter la machine avec l'interrupteur général.

NOTA. *Quand la machine est en LAVAGE, le seul composent en fonctionnement est la pompe à eau qui doit faire circuler la solution de nettoyage à l'intérieur du circuit d'eau.*

c) Enlevez le tube de trop plain pour vider le réservoir.

d) Rincez le réservoir et remonter le tube de trop plain.

10. Versez sur l'évaporateur de l'eau potable avec une dose de produit alguecicide puis mettez en marche la machine par environ 10 minutes pour stériliser le système hydraulique de la machine.

NOTA. *Ne mélanger pas le produit detartrante avec le produit alguecicide pour éviter la generation d'un acid tres agressive.*

11. Arrêtez la machine et vidangez le réservoir puis, avec l'interrupteur de nettoyage sur la position "NETTOYAGE - II", dans les modèles 21,31 et 40, tournez le thermostat évaporateur sur la position de fonctionnement normal. Dans les modèles 50, 65 et 90 tourner la came du timer a fin que les microinterrupteurs soient dans la position "debut phase de dégivrage" (partie basse de la came).

Après ça mettre l'interrupteur général sur "I-ON". Si faisant, on vient d'activer la vanne d'arrivée d'eau pour permettre un correct remplissage.

12. Une fois que le niveau d'eau déborde par le trop plein (eau qui coule par le tuyau de vidange) il faut mettre l'interrupteur du compresseur sur **I-ON** (50, 65 et 90) ou placer l'interrupteur de NETTOYAGE sur la position "MARCHE - I", au but de faire marcher la machine en fonctionnement automatique.

13. Remplacez le couvercle de l'évaporateur et remontez les panneaux enlevés avant.

14. Quand le cycle est complété et les glaçons sont démoulés examinez chaque cube de glace pour s'assurer qu'ils sont bien transparent et que tout le goût acide a été éliminé.

ATTENTION. *Si les glaçons sont opaques et ils ont un goût acide il faut les faire fondre en versant sur eux de l'eau chaude.*

15. Nettoyez avec un chiffon propre les parois intérieures de la cabine de stockage.

RAPPELEZ: *que pour prévenir l'accumulation des bactéries ou micro-organismes indésirables il est bien nécessaire de stériliser toutes les semaines l'intérieur de la cabine de stockage à l'aide du produit désinfectant/anti algues.*

ALLGEMEINES UND INSTALLATION

A. EINLEITUNG

Dieser Eiswürfelbereiter wurde mit hoher Qualität gestaltet, entworfen und hergestellt. Ihr System der Eiswürfelbereitung unterliegt strengsten Qualitätskontrollen, um den höchsten Ansprüchen in bezug auf Anpassung an die Wünsche eines jeden Kunden gerecht zu werden. Unsere Eisbereiter werden so entworfen, daß sie unseren hausinternen strengen Sicherheits- und Qualitätsanforderungen gerecht werden.

HINWEIS. Zur Beibehaltung der Sicherheit und der Leistung dieses Eisbereiters ist es wichtig, daß die Anweisungen zur Installation und zur Bedienung, wie in dieser Anleitung aufgeführt, beachtet werden.

B. AUSPACKEN UND KONTROLLIEREN

1. Führen Sie eine Sichtprüfung der äußeren Verpackung und der Rutschen durch. Jeder von Ihnen bemerkte, ernsthafte Schaden ist dem Anlieferer zu melden. In Anwesenheit eines Repräsentanten des jeweiligen Transportunternehmens ist dann ein Schadensbericht in bezug auf die Überprüfung und den Packungsinhalt auszufüllen.
2. a) Schneiden und entfernen Sie zur Sicherung angebrachten Kunststoffstreifen von der Kartonverpackung.
b) Öffnen Sie die Oberseite des Kartons, und entfernen Sie die Schutzabdeckung aus Styropor.
c) Ziehen Sie die Styroporteile aus den Ecken, und entfernen Sie den Karton.
3. Entfernen Sie die Vorder- und die Rückwand der Einheit, und untersuchen Sie sie auf versteckte Schäden. Wenn ein versteckter Schaden vorliegt, wenden Sie sich, wie unter Schritt 1 beschrieben, an das jeweilige Transportunternehmen.
4. Die Klappe öffnen und alle Stützelemente und Verstärkungen sowie die Klebebandstreifen entfernen.



5. Stellen Sie sicher, daß die Kühlschlangen nicht gegeneinander scheuern oder sich gegenseitig oder andere Oberflächen berühren. Darüber hinaus müssen sich die Ventilatorflügel frei bewegen können.

6. Benutzen Sie ein sauberes, feuchtes Tuch, um die Oberflächen auf der Innenseite des Vorratsbehälters sowie die Außenseite der Einheit zu reinigen.

7. Beachten Sie das Typenschild, die sich auf der Rückseite des Gerätes befindet, um sicherzustellen, daß Ihre Netzspannung mit der Betriebsspannung des Gerätes übereinstimmt.

WARNUNG. Eine falsche Spannung der elektrischen Versorgung wird automatisch Ihre Garantierechte annullieren.

8. Nehmen Sie die Registrierkarte des Herstellers aus der Bedienungsanleitung, und tragen Sie alle Teile dort ein, einschließlich der Modell- und Seriennummer, die Sie dem Typenschild entnehmen können. Senden Sie die ausgefüllte, adressierte Registrierkarte zum Hersteller.

C. STELLPLATZ UND AUFSTELLUNG

1. Stellen Sie das Gerät an dem ausgewählten, permanenten Stellplatz auf. Die Kriterien für die Auswahl eines Platzes sind:
 - a) Eine Raumtemperatur von wenigstens 10°C und höchstens 40°C.
 - b) Die Temperatur des zufließenden Wasser: Mindestens 5°C und höchstens 40°C.
 - c) Ein gut belüfteter Platz für die luftgekühlten Modelle. Reinigen Sie den luftgekühlten Kondensator in regelmäßigen Abständen.
 - d) Wartungszugang: Es muß ausreichend Platz für die Wartungsverbindungen auf der Rückseite des Eiswürfelbereiters vorhanden sein. Ein minimaler Abstand von 15 cm muß zu den Seiten der Einheit gelassen werden, damit der kühlende Luftzug in die und aus der Einheit auch weiterhin für einen guten Kondensationsvorgang der luftgekühlten Modelle gewährleistet.

HINWEIS. Bei eingebauten Gerät verringert sich die Eisleitung in Bezug auf das was im Diagramm angegeben bis zu Erreichung des max. 10% bei Raumtemperaturen höher als 32°C.

Die tägliche Leistung verändert sich in Bezug auf die verschiedene Raumtemperatur, Wasserverorgungstemperatur, und Standort der Maschine. Um eine optimale Leistung ihres EISBEREITERS einzuhalten soll eine periodische Wartung durchgeführt werden, wie im Abschnitt dieser Bedienungsanleitung angegeben.

2. Richten Sie das Gerät sowohl von links nach rechts, als auch von vorn nach hinten aus.

HINWEIS. *Dieser Eisbereiter besteht aus empfindlichen Präzisionsbestandteilen so dass eventuelle Stöße vermieden werden müssen.*

D. ELEKTRISCHE ANSCHLÜSSE

Informieren Sie sich auf dem Typenschild über die geltenden Voraussetzungen der Kabelstärken, die Sie für die elektrischen Anschlüsse benötigen. Bei allen Eisbereitern ist ein **solides Erdungskabel** erforderlich.

Das Gerät wird vom Hersteller komplett mit allen Kabeln geliefert, es ist nur noch erforderlich, die Verbindung zum elektrischen Strom mit dem auf der Rückseite des Gerätes befindlichen Stromkabel herzustellen.

Stellen Sie sicher, daß das Gerät an seinen eigenen Stromkreis angeschlossen und individuell abgesichert ist (entnehmen Sie dem Typenschild die Sicherungsgröße).

Die maximal zulässigen Spannungsschwankungen liegen im Bereich von -10% und +10% der auf dem Typenschild angegebenen Spannung. Eine zu niedrige Spannung kann eine fehlerhafte Funktion verursachen und verantwortlich für eine erhebliche Beschädigung des Überspannungsschalters oder der Motorspleule sein.

HINWEIS. *Alle externen Stromkabel sollten gemäß den nationalen Richtlinien verlegt werden.*

Bevor Sie das Gerät anschließen, überprüfen Sie die Spannung Ihres Stromnetzes sowie die auf dem Typenschild angegebene Spannung.

E. WASSERVERSORGUNG UND ABFLUSSLEITUNGEN

Allgemeine Information

Bei der Wahl der Wasserversorgung für den Eisbereiter sollten Sie folgendes berücksichtigen:

- a) Die Versorgungslänge
- b) Wasserreinheit und -klarheit
- c) Ausreichenden Wasserversorgungsdruck

Da Wasser der wichtigste Einzelbestandteil bei der Herstellung von Eis ist, können Sie den oben aufgeführten drei Punkten nicht genügend Beachtung schenken. Niedriger Wasserdruck unterhalb von 1 bar kann eine Fehlfunktion der Eisbereitereinheit zur Folge haben. Aus Wasser, das einen Überschuss an Mineralien enthält, entstehen zumeist trübe Eiswürfel. Darüber hinaus lagert sich Kalk an den Teilen des Wassersystems ab.

Wasserversorgung

Schließen Sie das 3/4" Steckverbindungsstück des Wassereinlaß – Magnetventils unter Verwendung der im Lieferumfang enthaltenen, biegsamen Schlauch an den regulären Sanitäranschlüssen der Kaltwasser – Versorgungsleitung an. Ein Absperrventil ist an einer zugänglichen Stelle zwischen der Wasserversorgungsleitung und der Eisbereitereinheit zu installieren.

WASSERVERSORGUNG-WASSERGEKÜHLTE MASCHINEN

Die wassergekühlten Maschinen müssen an zwei getrennte Wasser-versorgungsleitungen angeschlossen werden, d.h. eine Leitung für die Eiswürfel-Produktion und eine Leitung für den wassergekühlten Kondensator.

Wasserabfluß

Das empfohlene Ablaufrohr ist ein Kunststoffrohr oder ein biegsames Rohr mit einem Innendurchmesser von 18 mm (3/4"), welches zu einem offenen, übergitterten und belüfteten Abfluß verlegt ist. Wenn der Abfluß über eine lange Strecke erfolgt, lassen Sie die Leitung pro Meter um 3 cm höher legen.

Ferner ist eine vertikale, offene Belüftung an der Abflußverbindung der Einheit erforderlich, um die korrekte Drainage des Auffangbeckens zu gewährleisten.

Wasserabfluß – Wassergekühlte Modelle

Die Wasserablaufleitung vom Kondensator ist bei wassergekühlten Versionen intern mit den Abflußanschlüssen der Einheit verbunden.

Es ist aus diesem Grund überaus ratsam, eine vertikale, offene Lüftung über dem höchsten Punkt der Abflusses der Einheit zu installieren, um einen guten Abfluß zu gewährleisten. Ferner wird empfohlen, die Abflußleitung zu einer übergitterten und belüfteten Abflußvorrichtung im Boden zu führen, um einen guten Abfluß zu gewährleisten, da bei einem schlechten Abfluß das Wasser, welches aus dem Kondensator läuft, im ungünstigsten Fall durch die Abflußrohre der Einheit in den Eisvorratsbehälter fließen kann.

HINWEIS: *Die Wasserversorgung und der Wasserabfluß müssen gemäß den nationalen Bestimmungen verlegt werden. In einigen Fällen sind ein eingetragener Klempner und/oder eine Verlegungsgenehmigung erforderlich.*

F. ENDKONTROLLE:

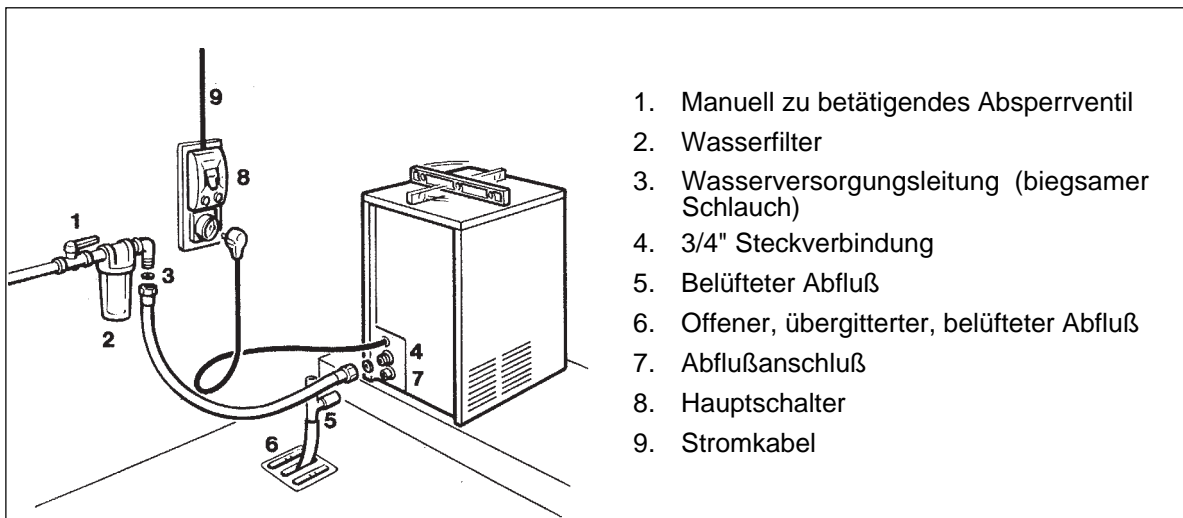
1. Befindet sich die Einheit in einem Raum, in dem die Mindesttemperatur 10°C beträgt, auch in den Wintermonaten?
2. Ist um die Einheit herum ein Mindestabstand von wenigstens 15 cm für eine gute Luftzirkulation gegeben?
3. Steht die Einheit gerade auf einer ebenen Oberfläche? (WICHTIG)
4. Wurden alle elektrischen Leitungen und alle Rohre verlegt und ist das Absperrventil offen?
5. Wurde die Spannung geprüft und gemäß den Daten auf dem Typenschild kontrolliert?
6. Wurde der Wasserversorgungsdruck überprüft, um einen Wasserdruck von wenigstens 1 bar sicherzustellen?
7. Überprüfen Sie alle Leitungen des Gefrier-Hydraulischen Kreises, um Schwingungen,

Scheuern und eventuelle Störungen auszuschließen.

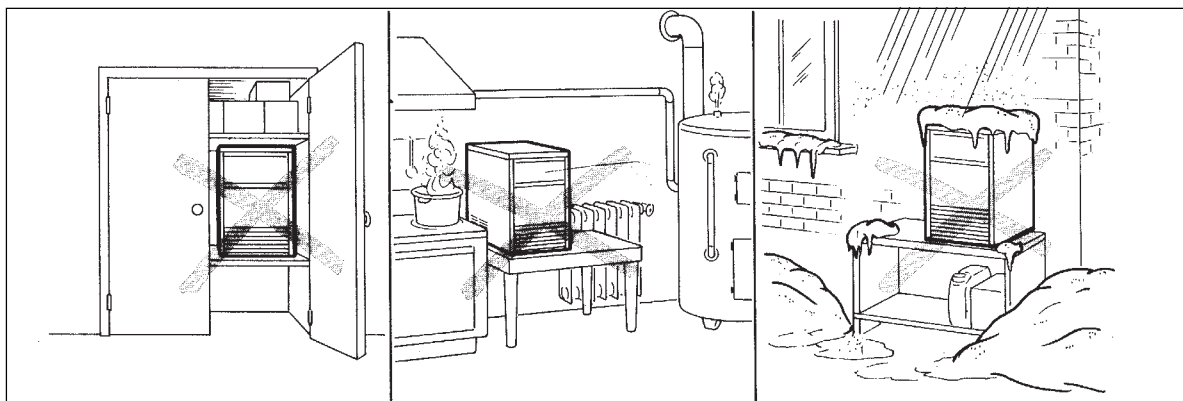
Überprüfen Sie auch alle Rohrklemmen (gut befestigt) und elektrische Kabel (gut angeschlossen).

8. Wurden die Befestigungsschrauben des Kompressors überprüft?
9. Wurden der Vorratsbehälter ausgewischt und die Außenseite des Behälters gereinigt?
10. Hat der Eigentümer / Benutzer die Bedienungsanleitung erhalten und ist er/sie über die Wichtigkeit der regelmäßigen Wartungskontrollen informiert worden?
11. Wurde die Herstellerregistrierkarte korrekt ausgefüllt? Kontrollieren Sie mit Hilfe des Typenschilds, ob das korrekte Modell und die richtige Seriennummer eingetragen ist). Schicken Sie die Registrierkarte an den Hersteller.
12. Hat der Eigentümer den Namen und die Telefonnummer der für ihn zuständigen Kundendienst – Fachvertretung erhalten?

G. INSTALLATION



WARNUNG. Dieser Eisbereiter ist nicht für Aufstellung im Freien geplant und arbeitet nicht unter Raumtemperaturen unter 10°C bzw. über 40°C.
Das gleiche gilt für Wassertemperaturen die nicht unter 5°C oder über 35°C sein müssen.



Betriebsanleitung

Inbetriebnahme

Nachdem Sie den Eisbereiter korrekt installiert haben und alle Rohre und elektrischen Verbindungen verlegt sowie alle Anschlüsse vorgenommen haben, führen Sie die folgenden Schritte zur Inbetriebnahme durch.

21-31-40

A. Entfernen Sie die Frontabdeckung der Einheit und suchen Sie den Reinigungsschalter.

B. Stellen Sie den Reinigungsschalter in die Position "Reinigen" (II). Hierdurch wird der elektrische Stromkreis zum Wassereinlaßventil und zum Heißgas - Magnetventil gesperrt.

C. Schalten Sie den Stromkabel – Deaktivierungsschalter ein (ON). Die Einheit schaltet in die Wasserfüllphase ein. Während dieser Phase werden folgende Komponenten aktiviert:

Wassereinlaß – Magnetventil

Heißgas – Magnetventil

Die Wasserpumpe und der Ventilatormotor sind ebenfalls in Betrieb.

D. Lassen Sie die Einheit ungefähr 3 bis 4 Minuten im Abtauzyklus, bis das Wasser aus dem Abflußschlauch kommt, bringen Sie dann den Reinigungsschalter wieder in die Betriebsposition (I).

50-65-90

A. Entfernen Sie die Frontabdeckung der Einheit und suchen Sie die Timer-Welle in den Schaltkasten.

B. Kontrollieren Sie, dass der Haupt- und Kompressorschalter in der unteren - linken Seite des Schaltkastens beide auf OFF sind.

C. Drehen Sie die Timer-Welle, durch die Frontseite des Schaltkastens, im Uhrzeigersinn bis man ein "click" hört: dies bedeutet dass der Mikroschalter des Timers in der unteren Seite des Nockens ausgelöst ist.

D. Das Gerät in betrieb setzen bei Stellung des Hauptschalters auf ON. Der Kompressorschalter soll auf Position OFF bleiben Dies schliesst den elektrischen Kreis zu dem Wassereinlass - und Heißgasventil.

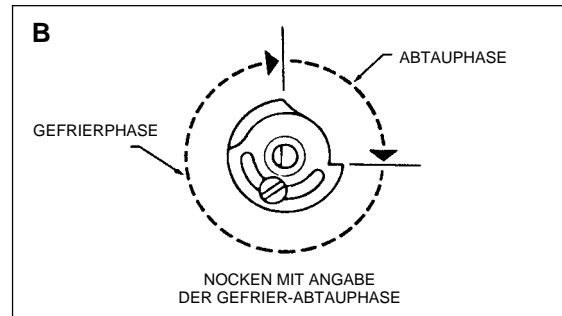
E. Das Gerät beginnt seine erste Gefrierphase, bei Betätigung des ON Schalters. Folgende Bestandteile sind aktiviert:

Wassereinlassventil

Heißgasventil

Timer Motor

F. Nach Beendigung der Abtauphase (etwa 3 Minuten) den Kompressorschalter auf ON stellen.



HINWEIS: Während des Abtauzyklus wird das Wassereinlaß – Magnetventil aktiviert. Das Wasser fließt durch das Ventil zur Oberfläche der Verdampferplatte und dann abwärts, um die Auffangvorrichtung des Eisbereiters für den nächsten Gefrierzyklus zu füllen.

Betriebskontrolle

A. Die Einheit startet jetzt ihren ersten Gefrierzyklus, hierbei sind die folgenden Bestandteile in Betrieb:

Kompressor

Wasserpumpe

Ventilatormotor bei der luftgekühlten Version

B. Sehen Sie durch die Eisauswurföffnung, um sicherzustellen, daß das Sprühsystem korrekt montiert ist und daß die Wasserdüsen das Innere der Kegelformer gleichzeitig erreichen; stellen Sie ferner sicher, daß der Kunststoffvorhang frei hängt und daß nicht zu viel Wasser durch diesen hindurchdringt.

C. Das Eisbereitungsverfahren verläuft so, daß Wasser in die Former gesprüht wird und dann allmählich gefriert, wobei die Wärme an das Kühlmittel abgegeben wird, welches in die Verdunsterschlang geleitet wird.

D. In die Modelle 21-31-40, wenn die Verdampferthermperatur einen vorher festgelegten Wert erreicht, ändert der Verdampferthermostat oder die Würfelgrößensteuerung die Kontakte; der Gefrierzyklus endet und der Abtauzyklus beginnt.

Bei den Modelle 50-65-90 dreht sich der Timer nicht an Ende der Abtauphase. Er startet später, wenn der Verdampferthermostat-Fühler, in dem Verdampfer gestellt, die Temperatur von etwa -15°C (5F) erreicht.

E. Der Gefriervorgang dauert zwischen 20 und 22 Minuten bei einer Umgebungtemperatur von 21°C. Der Vorgang dauert länger, wenn die Temperatur höher ist, weniger lange, wenn die Temperatur niedriger ist. Ein durchschnittlich durchgeführter Zyklus dauert zwischen 23 und 25 Minuten.

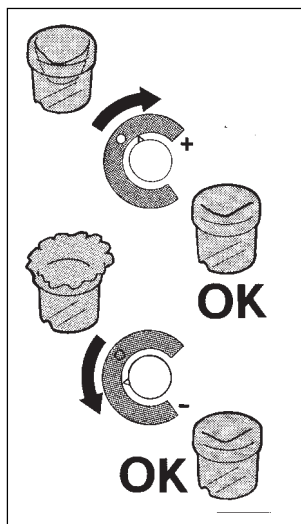
F. Überprüfen Sie während des ersten Abtau- / Ausgabezyklus, daß das Wasser korrekt in die Auffangvorrichtung fließt und diese korrekt aufgefüllt wird. Das überschüssige Wasser muß in das Überfluß – Ablaufrohr geleitet werden.

G. Kontrollieren Sie die Beschaffenheit der frischen Eiswürfel. Die korrekte Größe muß eine kleine Vertiefung (ungefähr 5 – 6 mm) an der Oberseite aufweisen. Sollte dies nicht der Fall sein, warten Sie den zweiten Abtau- / Ausgabezyklus ab, bevor Sie Veränderungen vornehmen.

H. Sofern notwendig, bei den Modelle 21, 31 und 50 kann die Länge des Gefrierzyklus durch Drehen des Verdampfer-thermostat auf der Vorderseite der Schalttafel angepaßt werden, bis die gewünschte Größe erreicht wird.

• Wenn die Raumtemperatur, wo sich das Gerät befindet, unter 20°C liegt, werden die Würfel teilweise hohl sein (siehe Abbildung rechts).

• Wenn die Raumtemperatur, wo sich das Gerät befindet, höher als 30°C liegt, werden die hergestellten Würfel einen dickeren Eisrand um der "Krone" herum haben.

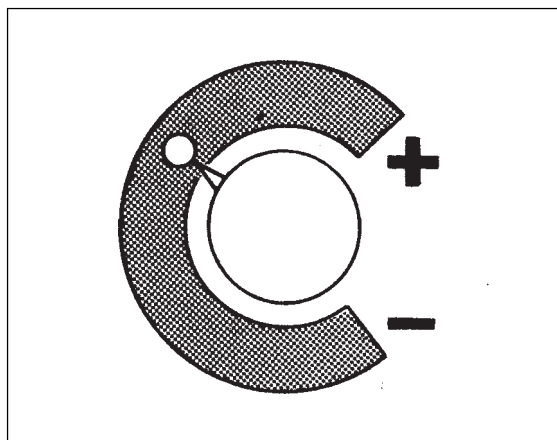


Wenn unbedingt notwendig kann die obengenannte Situation wie folgt abgeändert werden:

in dem ersten Fall bei Drehung, im Uhrzeigersinn, des Kontrollknopfes (wenig oder mehr, wie man will)

in dem zweiten Fall bei Drehung, im Gegenuhrzeigersinn (nach rechts) des Kontrollknopfes.

Es soll bemerkt werden dass wenn die Raumtemperatur später wieder auf 20÷30°C sinkt, bei soll der Knopf wieder auf dem weissen Punkt gedreht werden (siehe Ab. unten).



Wenn die Eiswürfel flach und trüb sind, ist es möglich, daß der Eisbereiter gegen Ende des Gefrierzyklus mit zu wenig Wasser versorgt wird oder daß die Qualität des zufließenden Wassers den Einsatz eines entsprechenden Wasserfilters oder Conditioners erforderlich macht.

I. Halten Sie während des Ausgabezyklus' eine Handvoll Eiswürfel gegen den Temperaturfühler des Vorratsbehälter-thermostats. Der Eisbereiter schaltet sich dann innerhalb von 1 bis 2 Minuten ab. Entnehmen Sie das Eis aus dem Vorratsbehälterthermostat. Der Eisbereiter nimmt innerhalb von 3 bis 4 Minuten den Betrieb automatisch wieder auf.

HINWEIS: Der Vorratsbehälterthermostat ist werkseitig eingestellt auf 1°C AUS und 4°C EIN.

K. Bringen Sie die Frontabdeckung der Einheit wieder an und weisen Sie dann den Eigentümer/Benutzer in den allgemeinen Betrieb des Eisbereiters ein, und informieren Sie ihn ferner über alle erforderlichen Reinigungs- und Wartungsmaßnahmen.

Betrieb

Funktionsweise des Eisbereiters

Im Eisbereiter wird das Wasser, das zur Eisherstellung benötigt wird, ständig von einer Wasserpumpe in Bewegung gehalten. Diese Wasserpumpe pumpt es zur Sprühsystemdüse, von wo aus es in die Kegelformer des Verdunstlers geleitet wird (siehe Abb. A).

Eine geringe Menge des gesprühten Wassers friert zu Eis der Rest läuft bedingt durch die Schwerkraft kaskadenartig zurück in die Auffangvorrichtung darunter und kann so erneut in Umlauf gebracht werden.

Gefrierzyklus (Abb. B)

Das Heißgaskühlmittel, daß vom Kompressor abgeschieden wird, erreicht den Kondenser, wo es heruntergekühlt wird und in den flüssigen Zustand kondensiert. Es fließt dann in die Flüssigkeitsleitung und passiert den Trockner / Filter. Von dort aus fließt es bis zum Kapillarröhrchen, wo es seinen Druck verliert. Daraufhin gelangt das Kühlmittel in die Verdunsterschlange (diese weist einen größeren Durchmesser als das Kapillarröhrchen auf) und beginnt zu kochen. Dieser Vorgang wird noch unterstützt durch die Wärme die von dem Sprühwasser übertragen wird.

Das Kühlmittelvolumen erhöht sich, es wird vollständig zu Dampf. Der Kühldampf passiert den Saugakkumulator (dieser wird verwendet, um zu verhindern, daß kleine Mengen von flüssigem Kühlmittel in den Kompressor gelangen) und gelangt durch die Saugleitung. Sowohl im Akkumulator als auch in der Saugleitung gibt es die Wärme an das Kühlmittel ab, welches durch das Kapillarröhrchen fließt (Wärmer), bevor es in den Kompressor gesaugt wird und als heiß komprimiertes Kühlmittelgas wieder in Umlauf gelangt.

Der Gefrierzyklus der 21-31-40 Modelle wird vom Verdunsterthermostat gesteuert dessen Temperaturfühler in Berührung mit der Verdunsterschlange steht, während in den 50-65-90 Modelle gibtes eine zweite Phase von dem Timer gesteuert.

Die elektrischen Komponenten, die während des Gefrierzyklus in Betrieb sind, sind folgende:

Kompressor

Wasserpumpe

Ventilatormotor (bei der luftgekühlten Version)

Bei den 21-31-40 luftgekühlten Versionen ist der Kühlmitteldruck allmählich von ungefähr 11 bar (155 psig) zu Beginn des Gefrierzyklus mit einer Einheit bei 21°C Umgebungstemperatur auf einen Mindestwert von ungefähr 7 bar (100 psig) während der letzten Sekunden kurz vor Ende des Gefrierzyklus und bevor der Abtauzyklus beginnt gesenkt.

Bei den 50-65-90 Versionen der hochdruck Kühlmittel ist zwischen zwei vorherbestimmten Werte eingehalten (10÷8,5 bar - 140÷120 psig), mit

der Maschine in einer Raumtemperatur von 21°C. Das Sinken des Drucks hängt mit der Reduzierung des Verdunstungsdrucks zusammen, der von dem progressiven Wachstum der Eisstärke in den Kegelformern und dem vom Ventilator kommenden Luftstroms durch den luftgekühlten Kondenser verursacht wird. Die oben aufgeführten Werte sind direkt abhängig von der Umgebungstemperatur des Eisbereiter-standorts. Die Werte steigen, wenn die Umgebungstemperatur sich erhöht.

Bei den 21-31-40-50 wassergekühlten Versionen liegt der Kühlmitteldruck zwischen 8,5 und 10 bar (120 – 140 psig). Der Druck wird gesteuert durch eine automatische Hochdrucksteuerung, die ein Wassereinlaß - Magnetventil an der Wasserleitung zum Kondenser, durch die das Kühlwasser zum Kondensator gelangt, betätigt.

Bei den 65-90 wassergekühlten Modelle ist der Hochdruck regelmässig bei 9,5 bar, von dem Wasserregulierventil kontrolliert.

Zu Beginn des Gefrierzyklus sinkt die Ansaugung des Kühlmittels oder der Niedrigdruck schnell auf 1,0 bar (-14 psig), danach fällt der Druck allmählich ab – in direktem Bezug zur wachsenden Eisstärke – um schließlich gegen Ende des Zyklus ungefähr 0 + 0,1 bar (- 0 + 1,5 psig) für die Modelle 21-31-40 und 0.2 ÷ 0.3 bar (3 ÷ 4 psig) für die Modelle 50-65-90 zu erreichen, wenn die Eiswürfel im Kegelformer vollkommen ausgeformt sind. Die Gesamtlänge des Gefrierzyklus liegt zwischen 23 und 25 Minuten.

Abtau- oder Ausgabezyklus (Abb. D)

Bei den 21-31-40 Modelle, wenn die Temperatur des Verdampfer-thermostats, der sich in Berührung mit der Verdunsterschlange befindet, auf einen vorher eingestellten Wert fällt, ändern sich hierdurch die elektrischen Kontakte, so daß folgende Komponenten aktiviert werden (Bei den 50-65-90 Modelle, wenn der Mikroschalter des Timers in der unteren Seite des Nockens fällt, ändert dieser seine elektrische Kontakte und aktiviert die selben Bestandteilen):

Kompressor

Wassereinlaß – Magnetventil

Heißgas – Magnetventil

Das zufließende Wasser fließt zunächst durch das Wassereinlaß - Magnetventil und die Flußsteuerung, läuft über die Verdunsterplatte und wird dann von der Schwerkraft durch die Tropflöcher in die Auffangvorrichtung / den Behälter (Abb. C) gelenkt.

Durch das Wasser, das in die Auffangvorrichtung / den Behälter gelangt, wird das überschüssige Wasser des vorherigen Gefrierzyklus verdrängt und fließt in das Überflußrohr. Dieser Überfluß begrenzt das Niveau der Wasserauffangvorrichtung. Das aufgefangene Wasser wird dazu verwendet, um den nächsten Satz Eiswürfel zu produzieren.

Das Kühlmittel wird als Heißgas vom Kompressor abgeschieden und gelangt durch das Heißgas – Magnetventil direkt in die am Kondensator vorbei führende Verdunsterschlange.

Der Heißgasumlauf in die Verdunsterschlange erwärmt die Kupferformen, so daß die Eiswürfel ausgeworfen werden. Die aus den Kegelformern ausgeworfenen Eiswürfel fallen durch die Schwerkraft auf eine geneigte Würfelrutsche, gelangen durch die Öffnung mit dem Vorhang und fallen in den Eiswürfel – Vorratsbehälter. Bei den 21-31-40 Modelle wenn die Temperatur des Temperaturfühlers des Verdunsterthermostats eine Höhe von $+3 \pm 4^{\circ}\text{C}$ erreicht, werden dessen elektrische Kontakte zurück auf die vorherige Position bewegt und ein neuer Gefrierzyklus wird aktiviert. Sowohl das Heißgas – als auch das Wassereinlaß – Magnetventil werden deaktiviert (geschlossen).

Bei den 50-65-90 Modelle, wenn der Mikroschalter des Timers die untere Seite des Nockens beendet ist und wieder betätigt wird, eine neue Gefrierphase beginnt (Heißgasventil und Magnetventil werden deaktiviert - geschlossen).

HINWEIS: Bei den 21-31-40 Modelle die Länge des Abtau- / Auswerfzyklus' ist abhängig (nicht einstellbar) von der Umgebungstemperatur (kürzer bei hoher Umgebungstemperatur und länger bei niedriger Umgebungstemperatur).

Beschreibung der Komponenten

A. Wasserpumpe

Die Wasserpumpe arbeitet kontinuierlich während des Gefrierzyklus'. Die Pumpe pumpt das Wasser aus der Auffangvorrichtung in das Sprühsystem. Durch die Sprühdüsen wird das Wasser in die Kegelformer gesprüht, wo es zu kristallklaren Eiswürfeln gefriert.

B. Wassereinlaß – Magnetventil – 3/4" Steckverbindungsstück

Das Wassereinlaß – Magnetventil wird nur während des Abtauzyklus aktiviert.

Wenn es aktiviert ist, läßt es eine bestimmte Menge zufließenden Wassers über die Verdunstervertiefung fließen, um somit zusammen mit dem Heißgas für das Abtauen des Eises zu sorgen. Das Wasser, daß über die Verdunstervertiefung läuft, tropft, bedingt durch die Schwerkraft, durch die Tropflöcher der Platte in die Auffangvorrichtung.

Bei den 21, 31, 40-50 wassergekühlten Versionen ist das Wassereinlaß – Magnetventil mit einem Einlaß und zwei Auslässen mit zwei voneinander getrennten Topfmagneten ausgestattet, wobei der erste (für die Eisproduktion) durch die Kontakte 3 – 2 des Verdunsterthermostats aktiviert wird und der zweite (wassergekühlter Kondensator) durch eine spezielle Hochdrucksteuerung.

C. Heißgas – Magnetventil

Das Heißgas – Magnetventil besteht hauptsächlich aus zwei Teilen: Dem Ventilkörper und der Ventilschleife. Das Heißgas - Magnetventil befindet sich an der Heißgasleitung und wird von den Kontakten 3 – 2 des Verdunster-

thermostats während des Abtauzyklus aktiviert. Während des Abtauzyklus wird das Heißgas – Ventilschleife aktiviert, und zieht somit den Kolben des Heißgas – Magnetventils an. Hierdurch kann das Heißgas, das vom Kompressor abgeschieden wird, direkt in die Verdunsterschlange gelangen, um dort die geformten Eiswürfel durch Antauen zu lösen.

D. Vorratsbehälterthermostat

Das Steuerteil des Vorratsbehälterthermostats befindet sich vorne auf der Schalttafel hinter der abnehmbaren Abdeckung.

Das Fühlrohr des Thermostats befindet sich in einem Temperaturfühlerhalter an der Seitenwand des Eisauffangbehälters, wo es den Eisbereiter automatisch abschaltet, wenn der Fühler in Berührung mit dem Eis kommt und den Eisbereiter automatisch wieder aktiviert, wenn das Eis entfernt wird. Die werkseitigen Einstellungen sind 1°C AUSSCHALTEN und 4°C EINSCHALTEN.

E. Würfelgrößensteuerung (Verdampferthermostat)

21-31-40

Die Würfelgrößensteuerung (Verdampferthermostat) sitzt vorne auf der Schalttafel hinter der abnehmbaren Abdeckung. Sie ist hauptsächlich eine umgekehrt fungierende Temperatursteuerung, die die Kontakte 3 – 2 schließt, wenn die Temperatur fällt und die gegenüberliegenden Kontakte 3 – 4 schließt, wenn die Temperatur steigt. Der Temperaturfühler befindet sich in einem Kunststoffrohr (Fühlerhalter), der von zwei Klemmen direkt an der Verdunsterschlange befestigt ist.

Diese Steuerung bestimmt die Länge des Gefrierzyklus und demzufolge auch die Größe der Eiswürfel.

Eine niedrigere Einstellung resultiert in größeren Eiswürfeln (Übergröße) während eine höhere Einstellung geringere Eiswürfeln (flache Würfel) zur Folge hat. Wenn die Kontakte 3 – 2 geschlossen sind, aktiviert sie die Komponenten des Abtau- oder Auswerfzyklus'.

Die Würfelgrößensteuerung wird werkseitig eingestellt (Knopf in der Position mit dem schwarzen Punkt) und muß nicht weiter eingestellt werden, sofern die Temperaturanforderungen zwischen 20 und 30°C eingehalten werden (70 und 90°F)

50-65-90

Der Verdampferthermostat mit seinem empfindlichen Fühler in Kontakt mit dem Aussenrohr des Verdampfers "liest" die Kühlmittel-Verdampfungstemperatur (die während der Gefrierphase sinkt) und wenn diese den vorherbestimmten Wert erreicht, schaltet er seine Kontakte von 3-4 an 3-2, um die Endphase (2^e Phase) zu aktivieren. Diese 2^e Phase hat eine vorherbestimmte Dauer, durch die Durchmesser der Kreislinie des Timernockens bestimmt ist.

F. Ventilatormotor (luftgekühlte Version)

Der Ventilatormotor ist elektrisch mit der Wasserpumpe parallelgeschaltet und arbeitet kontinuierlich während des Gefrierzyklus', um

den richtigen Druck durch die Luftzirkulation durch die Kondenserrippen zu gewährleisten. Bei 50-65-90 der Betrieb des Ventilator motors ist durch ein Pressostat, an vorherbestimmten Werte eingestellt, kontrolliert.

G. Kompressor

Der hermetisch versiegelte Kompressor ist das Kernstück des Kühlmittelsystems. Er wird verwendet, um das Kühlmittel im gesamten System umlaufen zu lassen und zum Schluß wieder aufzufangen. Er komprimiert den Niederdruck – Kühldampf, läßt dessen Temperatur somit steigen und wandelt den Niederdruck – Kühldampf in Hochdruck – Heißdampf (Heißgas), welcher durch das Abgabeventil abgelassen wird.

H. Wassersprühsystem

Durch die Düsen dieses Systems wird das Wasser in jede einzelne Kegelform gesprüht, wo es zu Eis gefriert.

I. Hochtemperatur – Sicherheitsthermostat

Der Thermostat befindet sich unten an der Schalttafel. Er ist ein manueller Rückstellschalter, der auslöst und den Betrieb der Eismaschine unterbricht, wenn der Temperaturfühler (der sich an der Leitung vor dem Trockner befindet), eine Temperatur von 70°C erreicht.

J. Reinigungsschalter (nur 21-31-40)

Er befindet sich unten links an der Schalttafel und wird verwendet, um das Wassereinlaß – und das Heißgas – Magnetventil zu betätigen, so daß das Wasser in die Auffangvorrichtung der Maschine gelangen kann.

K. Hochdrucksteuerung (Wassergekühlte Version)

Diese Steuerung wird nur in wassergekühlten 21-31-40 Versionen verwendet. Bei zwischen 8,5 und 10 bar (120 + 140 psig) sorgt sie dafür, daß der Druck des Kühlmittelsystems gehalten oder gesenkt wird, indem sie die Spule des Wassereinlaß – Magnetventils, das wiederum den Fluß des Kühlwassers zum Kondensator steuert, aktiviert.

L. Timer (Zeituhr - nur 50-65-90)

Ist mit 2 Mikroschalter ausgerüstet und befindet sich in dem Schaltkasten.

Der Betrieb des Timers beginnt wenn der Verdampferthermostat ihn aktiviert.

Die breitere diameter-Kreislinie seines Nockens bestimmt den zweiten Teil der Gefrierphase während der kleinere die Abtauphase.

Das Timernockens kann eingestellt werden um die Abtauzeit abzuändern.

ACHTUNG. Die Abtauzeit nie für mehr als 4 Minuten einstellen, da dies den Kompressormotor in Gefahr bringen wird.

Er läuft ohne anzuzeigen, dass eine Erweiterung der Abtauzeit direkt die Teilzeit der Gefrierphase, und umgekehrt, verkürzen wird.

Deshalb jede Änderung der Timernockens benötigt eine sehr sorgfältige Ausgleicheinstellung der Verdampferthermostats.

M. Hauptschalter (nur 50-65-90)

Befindet sich in dem Schaltkasten, schaltet das Gerät ein-aus.

N. Kompressorschalter (nur 50-65-90)

Befindet sich in dem Schaltkasten, deaktiviert den Kompressor während der Reinigung.

O. Lüfter-Pressostat (nur 50-65-90)

Verwendet auf Luftgekühlte Modelle, hält den Hochdruck zwischen der vorherbestimmten Werte ein.

P. Wasserregulierventil (nur 65-90 wassergekühlt)

Dieses Ventil steuert den Hochdruck im Kältemittelkreislauf, bei Regulierung der Wassermenge zu dem Kondensator. Wenn der Druck steigert, öffnet sich das Ventil um den Wasserstrom zu erhöhen.

Q. Fernschalter (nur 65-90)

Schliesst oder öffnet den elektrischen Kreis zu dem Kompressor.

Anweisungen zur Wartung und Reinigung

Anweisungen zur Reinigung des Wassersystems

1. Entfernen Sie die vordere und obere Abdeckung, um Zugang zur Schalttafel und zum Verdampfer ermöglichen.

2. Stellen Sie sicher, daß alle Eiswürfel aus Ihren Kegelformen gelöst worden sind. Das Gerät durch den Hauptschalter, bei den Modelle 21-31-40, ausschalten; bei den Modelle 50-65-90 durch den Kompressor- und Hauptschalter.

3. Entfernen Sie alle Eiswürfel, die sich noch im Vorratsbehälter befinden, damit sie nicht mit der Reinigungslösung kontaminiert werden.

4. Bei den B21-31 das Kunststoffteil in der unteren Seite des Gefriergehäuses beseitigen um den das ganze Wasser und Kalkablagerung zu entfernen.

5. Die Jalousie beseitigen, und mit einer Flasche frisches Wasser in der unteren Seite des Gefriergehäuses spülen.

6. Die Jalousie sowie das Kunststoffteil wieder einsetzen.

7. Für alle Modelle, das Wasser von dem Behälter/Reservoir, durch die Entfernung des Ueberlaufschlauch, rausfließen lassen.

8. Bereiten Sie eine Reinigungslösung vor, indem Sie einen oder zwei Liter warmes Wasser (45° - 50°C) mit 0,1 - 0,2 Liter Eismaschinenreiniger (für 21-31-40) und 0,2 - 0,3 liter (für 50-65-90) verdünnen.

WARNUNG: Der Eismaschinenreiniger enthält Phosphor und Hydroxysäure. Diese Bestandteile sind korrodierend und können Verbrennungen verursachen, wenn Sie geschluckt werden. Sollte dies der Fall sein, forcieren Sie nicht künstlich ein Übergeben. Geben Sie große Mengen Wasser oder Milch zu trinken. Rufen Sie sofort einen Arzt.

Bei einem Hautkontakt spülen Sie die entsprechende Stelle mit Wasser ab. HALTEN SIE DAS REINIGUNGSMITTEL AUSSER REICHWEITE VON KINDERN!

9. Entfernen Sie die Abdeckung des Verdunsters und gießen Sie dann die Reinigungslösung langsam über die Verdunsterplatte. Lösen Sie die hartnäckigsten Schmutz- und Kalkablagerungen von der Platte.

21-31-40

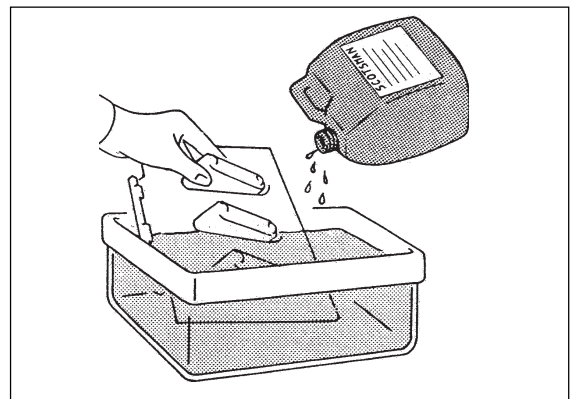
1. Bei den 21-31-40 Modelle das Gerät wieder durch dem Hauptschalter einschalten um die Eisproduktion beginnen zu lassen.

Lassen Sie den Eisbereiter ungefähr 20 Minuten lang arbeiten. Drehen Sie dann den Reinigungsschalter in die Position "Reinigen", bis die Eiswürfel aus ihren Kegelformen gelöst sind (II).

HINWEIS: Die Menge an Reinigungsmittel und die Zeit, die für die Reinigung des Wassersystems benötigt wird, hängt vom Wasserzustand ab.

2. Drehen Sie den Würfelgrößen – Steuerungsknopf entgegen dem Uhrzeigersinn in die Position OFF (AUS), um den Eisbereiter auszuschalten. Spülen Sie dann die Reinigungslösung aus der Auffangvorrichtung. Danach gießen Sie zwei bis drei Liter reinen Trinkwassers in die Verdunstervertiefung, um die Kegelformen und die Platte abzuspülen.

3. Gegebenenfalls entfernen Sie die Wassersprühplatte und reinigen diese separat.



4. Drehen Sie den Würfelgrößen – Steuerungsknopf wieder in die normale Betriebsposition (schwarzer Punkt). Die Wasserpumpe nimmt den Betrieb auf und läßt Wasser umlaufen, um das gesamte Wassersystem zu reinigen. Führen Sie die Schritte 8 und 9 zweimal aus, um sicherzustellen, daß keine Spuren von Entkalkerbzw. Reinigungslösung mehr in der Auffangvorrichtung vorhanden sind. Gießen Sie frisches Wasser unter Zugabe einer Kappe Desinfizierungslösung auf die Oberseite der Verdunsterplatte. Bringen Sie die Maschine erneut in normalen Betrieb, um das ganze Wassersystem ungefähr 10 Minuten lang zu desinfizieren.

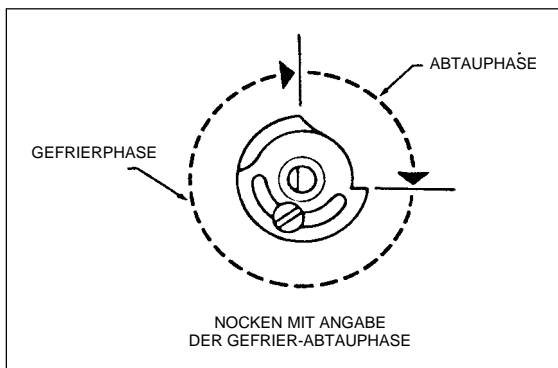
HINWEIS: Mischen Sie die Reinigungs- bzw. Entkalkungslösung nicht mit der Desinfektionsslösung, es könnte sich ansonsten eine sehr aggressive Säure bilden.

5. Spülen Sie die Desinfizierungslösung aus der Auffangvorrichtung. Stellen Sie sicher, daß sich der Reinigungsschalter in der Position "Reinigen" befindet und drehen sie den Würfelgrößen – Steuerungsknopf in die normale Betriebsposition.

Wenn das Wasser anfängt, durch die Abflußleitung zu fließen, setzen Sie den Reinigungsschalter wieder zurück in die Betriebsstellung. Die Einheit ist jetzt bereit für den normalen Betrieb.

50-65-90

1. Der Timerknopf langsam mit einem Schraubenzieher im Uhrzeigersinn drehen bis der Mikroschalter die Start Position der Gefrierphase erreicht.



Dann gleich den Hauptschalter auf ON stellen, der Kompressorschalter auf OFF lassen.

2. Lassen Sie das Gerät etwa 20 Minuten in der Gefrierphase arbeiten. Kein Eis wird produziert da der Kompressor nicht in Betrieb ist.

3. An Ende dieser Zeit den Hauptschalter auf OFF stellen, um das Gerät auszuschalten.

4. Der Überlauf-ablauf Schlauch entfernen um die Reinigungslösung und die Mineralreste durch den Ablaufrohr rausfließen zu lassen; dann den Überlaufschlauch wieder einsetzen.

5. Giessen Sie 2-3 Liter frisches Wasser auf den Verdampfer um die Platte zu spülen.

6. Wenn nötig die Wassersprühplatte separat entfernen und reinigen.

7. Stellen Sie wieder den Hauptschalter auf ON. Die Wasserpumpe ist wieder aktiviert und somit das Wasser den kompletten Wasserkreislauf spült.

8. Giessen Sie frisches Wasser unter Zugabe einer kappe Desinfizierungslösung auf die obere Seite der Verdampfungsplatte und das Gerät erneut in Betrieb setzen um das ganze Wassersystem etwa 10 Minuten lang desinfizieren.

HINWEIS: Mischen sie die Reinigungs-bzw. Entkalkungslösung nicht mit der Desinfektionslösung, es könnte sich ansonsten eine sehr aggressive Säure bilden.

9. Die Desinfizierungslösung vom Reservoir/ Behälter rausfließen lassen.

Der Timerknopf langsam im Uhrzeigersinn drehen bis der Mikroschalter die Start Position der Abtauphase erreicht.

Dann gleich den Hauptschalter auf ON stellen. Lassen Sie das Gerät in dieser Phase laufen. Wenn die Abtauphase beendet ist drehen Sie den Timerknopf, manuell, bis die Abtauphase wieder startet. Machen Sie dies zwei Mal.

Wenn das Wasserreservoir wieder voll ist, den Kompressorschalter auf ON stellen. Das Gerät ist jetzt antriebsbereit.

Drehen Sie den Würfelgrößen – Steuerungsknopf im Uhrzeigersinn zurück in die normale Betriebsposition (schwarzer Punkt), um den Eisbereitungsvorgang erneut zu starten.

10. Montieren Sie die Verdunsterabdeckung und die Wartungsabdeckungen der Einheit.

11. Nachdem der Gefrier- und der Auswerfzyklus abgeschlossen sind, stellen Sie sicher, daß die Eiswürfel die richtige Konsistenz und Transparenz aufweisen und daß sie keine sauren Geschmack haben.

ACHTUNG: Wenn die Eiswürfel trüb sind und einen sauren Geschmack haben, schmelzen Sie sofort durch Begießen mit warmem Wasser. Dies verhindert, daß diese Eiswürfel von jemandem anders verwendet werden.

12. Wischen Sie die Innenflächen des Vorratsbehälters sauber und spülen Sie sie nochmals ab.

ERINNERUNG: Um die Sammlung von unerwünschten Bakterien zu verhindern ist es notwendig, das Innere des Vorratsbehälters einmal pro Woche mit einem Anti-Algen – Desinfizierungsmittel auszuwischen.