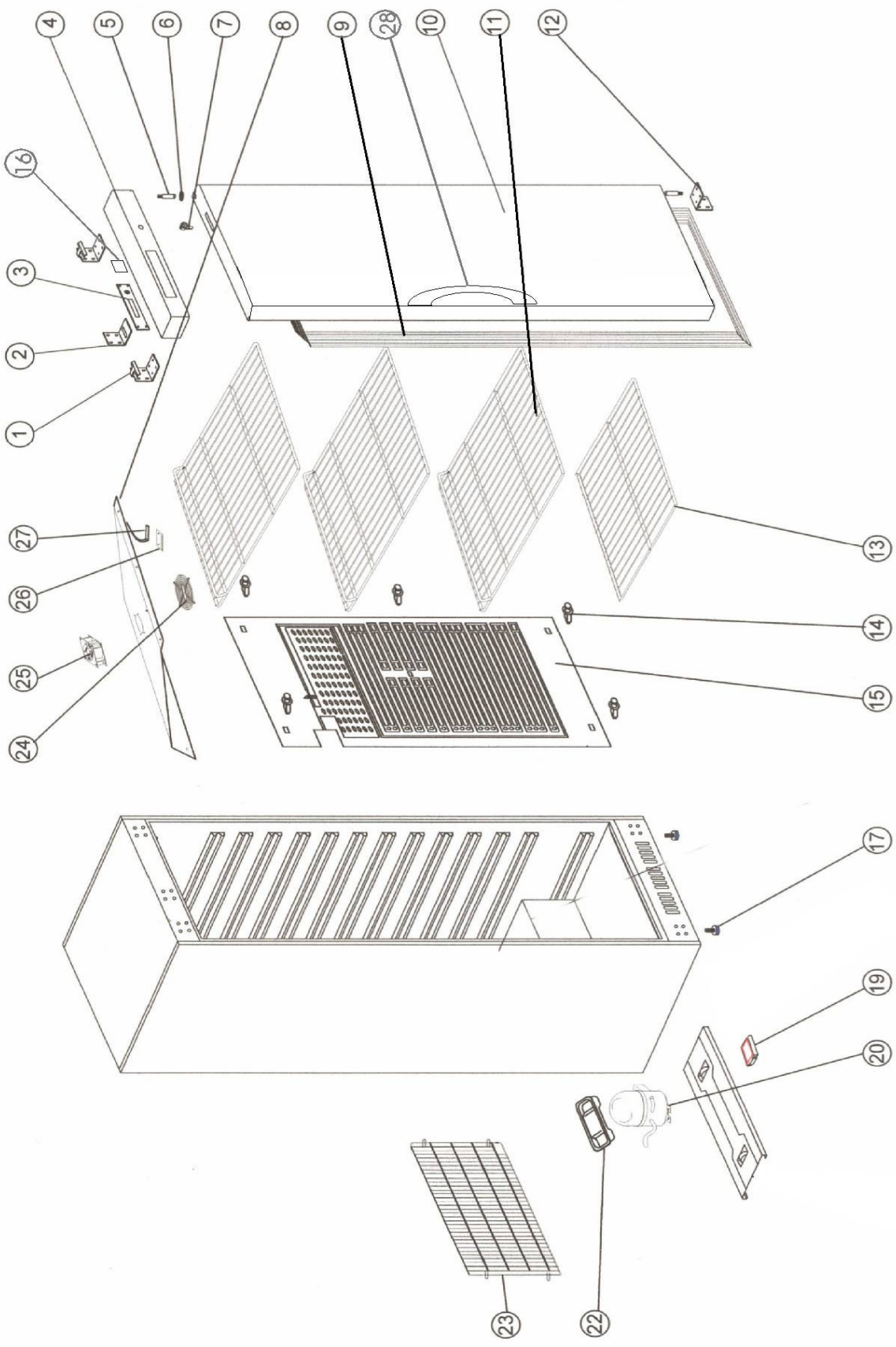


UR600

TEFCOLD®

POS.	REF. NO.	ITEM
1	7300010001	UP HINGE
2	7300010002	HOOK OF LOCK
3	7110000398	THERMOSTAT, XR20C
4	7300010003	FRONT PANEL
5	7300010004	HINGE AXIS
6	7300010005	BUSHING
7	7100004103	LOCK
8	7300010006	FAN SUPPORT
9	7300010007	GASKET
10	7300010008	DOOR
11	7300010009	UPPER SHELF
12	7300010011	DOWN HINGE
13	7300010010	BOTTOM SHELF
14	7300010012	EVAPORATOR FIXER
15	7300010013	EVAPORATOR
16	7110002401	MAIN SWITCH
17	7200000900	FEET (PCS)
19	7300010014	JUNCTION BOX
20	7200002102	COMPRESSOR OF 1350A, FR8,5G
22	7110005517	WATER PAN
23	7300010015	REAR GRILL
24	7300010016	FINGER GUARD
25	7200000305	EVAPORATOR FAN RAH1238B
26	7200000529	SENSOR FIXED CLIP
27	7110000397	PROBE XR20/XR60
28	7300010017	HANDLE SILVERGREY





TEFCOLD 

Explode UR600

090615